



NORANDEX™

EXTERIOR PRODUCTS FOR YOUR HOME

2018

**RAINWARE, TRIM COIL, SOFFIT,
FASCIA, & SIDING ACCESSORIES**

Beloit Plant

www.acm-metals.com



NORANDEX™

EXTERIOR PRODUCTS FOR YOUR HOME

Rainware Components

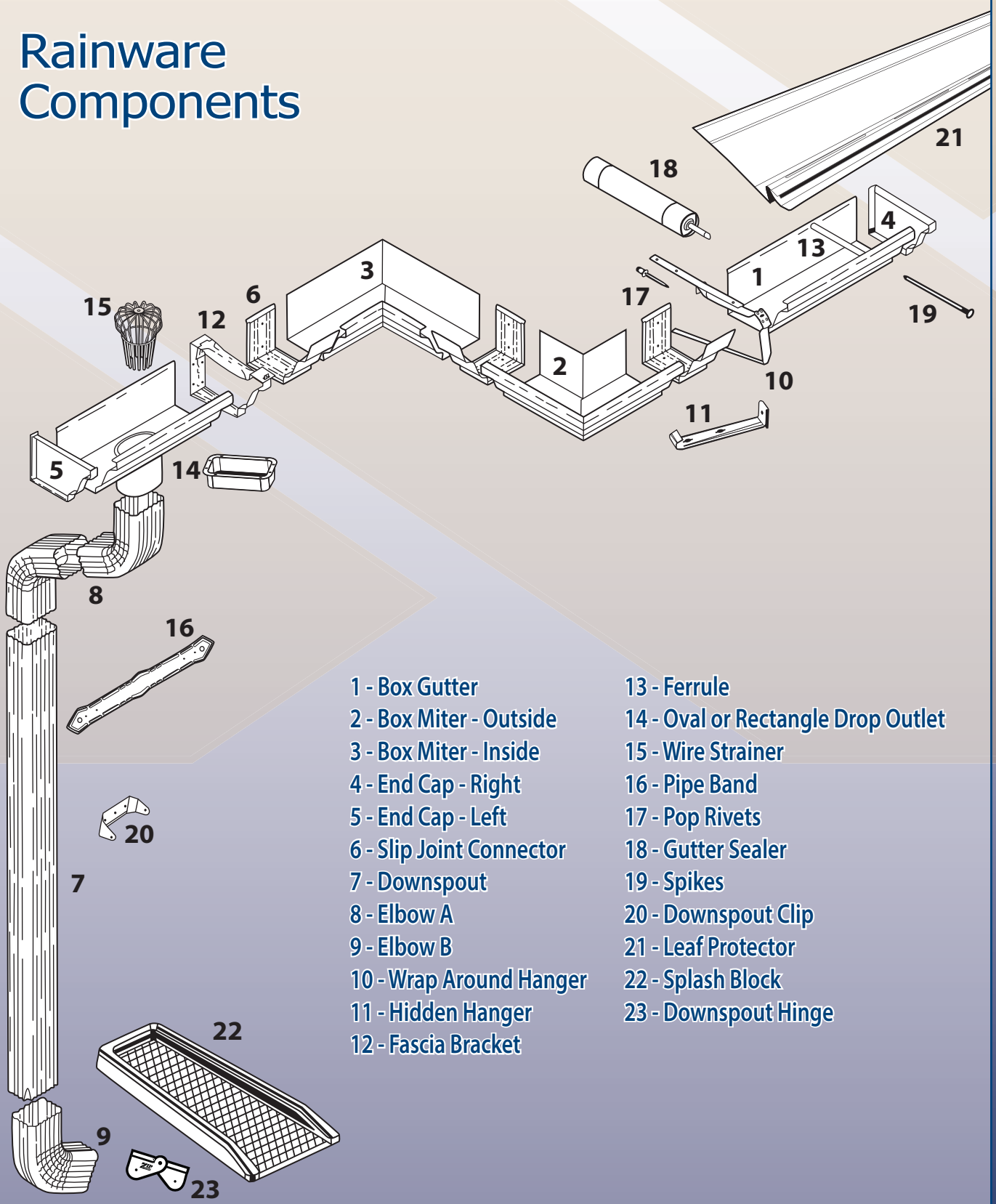




Table of Contents

Gutter Coil Conversion Chart	2	Round/Half Round Products	21-22
Gutters	3-4	Half Round Gutters	21
Gutter Coil	3	Round Downspouts	21
Spin Down Gutter Coil	4	Round Elbows	21
Pipe Strap Coil	4	Half Round Slip Joints.....	22
Downspouts	5	Half Round Miters	22
Elbows	6-7	Half Round End Caps.....	22
Variable Degree Elbows	8	Half Round Brackets.....	22
Offsets	9-10	Half Round Outlets.....	22
Conductor Heads	10	Half Round Hidden Hangers.....	22
Downspout Accessories	11-12	Half Round T-Wedge Hangers	22
Outlets.....	11	Gutter Protection	23-24
Wire Strainers	11	Gutter Protection Screen Systems.....	23
PVC Adapters	11	Gutter Protection Perforated.....	24
Y Adapters	11	& Cover Systems	
Y Diverters	12	Gutter Protection & Accessories	25
Funnels	12	Trim Coil	26-29
Downspout Bands/Straps.....	12	Smooth & Woodgrain Conversion Chart	26-27
Downspout Clips.....	12	PVC Conversion Chart	28-29
Downspout Hinges.....	12	Norandex™ Smooth, PVC, & Northern Pine	30
Splash Blocks.....	12	Mastic Comparable.....	30
Miters	13	Certainteed Comparable	30
Extreme™ Miters.....	13	Exterior Portfolio (<i>formerly Crane</i>) Comparable	30
Box Miters	13	Hardie Plank Comparable.....	31
Bay Miters	13	Royal Comparable.....	31
Strip Miters & Joints	14	Variform Comparable	31
Strip Miters.....	14	Textured, Mar-Resistant Window Trim Coil.....	31
Expansion Joints.....	14	Specialty Coils.....	31
Slip Joints.....	14	Fascia	32-33
End Caps	15	4" Fascia	32
Hangers	16-18	6" Fascia	32
Hidden	16	8" Fascia	32
Wrap Around.....	17	10" Fascia.....	33
T-Bar	17	Soffit	34
Vampire	17	12" Premium Hidden Vent Soffit.....	34
Hangers with Screws.....	18	12" Double 6 D6 Soffit.....	34
Rainware Accessories	18-19	12" Soffit.....	34
T-Wedges & Gutter Wedges.....	18	16" Soffit.....	34
Spikes.....	18	Siding Accessories	35-36
Ferrules.....	19	F-Channel.....	35
Fascia Brackets.....	19	J-Channel	35
Screws	19	Miter Divider	35
Pop Rivets	19	Siders Edge	36
Drive Pins.....	20	Starter Strip	36
Gutter Sealer	20	Z-Flashing	36
Paint.....	20	Drip Cap.....	37
		Norandex™ Aluminum Warranty	38
		Norandex™ Steel Warranty	39

www.acm-metals.com

To place orders for metal products, please call:

Beloit Plant Customer Service **877-279-5096**

For siding and window inquiries, please call Norandex™ Corporate Customer Service at **800-528-0942**



Gutter Coil Conversion Chart

(Determining Feet to Weight)

Coil Width	Thickness Material	Conversion Multiplier Formula
11-3/4"	.027" Alum.	lin. ft. _____ X .377 = _____ # lbs.
11-7/8"	.027" Alum.	lin. ft. _____ X .380 = _____ # lbs.
14"	.027" Alum.	lin. ft. _____ X .453 = _____ # lbs.
15"	.027" Alum.	lin. ft. _____ X .476 = _____ # lbs.
11-3/4"	.032" Alum.	lin. ft. _____ X .446 = _____ # lbs.
11-7/8"	.032" Alum.	lin. ft. _____ X .450 = _____ # lbs.
13"	.032" Alum.	lin. ft. _____ X .500 = _____ # lbs.
15"	.032" Alum.	lin. ft. _____ X .571 = _____ # lbs.
18"	.032" Alum.	lin. ft. _____ X .678 = _____ # lbs.
11-7/8"	26 ga. Steel	lin. ft. _____ X .768 = _____ # lbs.
12"	26 ga. Steel	lin. ft. _____ X .775 = _____ # lbs.
13"	26 ga. Steel	lin. ft. _____ X .839 = _____ # lbs.
14"	26 ga. Steel	lin. ft. _____ X .904 = _____ # lbs.
15"	26 ga. Steel	lin. ft. _____ X .969 = _____ # lbs.
19"	26 ga. Steel	lin. ft. _____ X 1.23 = _____ # lbs.
11-3/4"	16 oz. Copper	lin. ft. _____ X 0.98 = _____ # lbs.
11-7/8"	16 oz. Copper	lin. ft. _____ X 0.99 = _____ # lbs.
15"	16 oz. Copper	lin. ft. _____ X 1.25 = _____ # lbs.

To process an order for a spin down quantity, determine the number of pounds based on the requested footage by the contractor. Enter the number of pounds on the ticket noting the required footage. After spinning down the required coil footage, re-weigh the coil to verify the actual pounds of coil taken out of inventory. Note the actual weight in shipped column of the ticket. Update the tickets to adjust the invoice accordingly. This process ensures proper invoicing and accurate inventory levels.

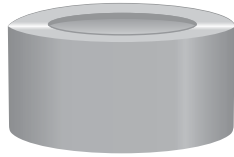
These coils are cut from master coils which are slightly thicker in the middle to avoid oil canning during the painting process. The gauge can vary slightly depending on where the coil was cut from the master coil. Inventory will vary if the product is sold by footage and not weight. Remember, product is purchased by the pound. Re-weighing is necessary for accuracy.



NORANDEX™ Gutters

BELOIT PLANT

Gutter Coil



Part #	Description	Colors	Nom. Gauge/ Thickness	Rolls/ Pallet
AGC21134 - -	Aluminum 11-3/4" Coil	(Listed Below)	0.027	3
AGC21178 - -	Aluminum 11-7/8" Coil	(Listed Below)	0.027	3
AGC21178M2	Aluminum 11-7/8" Coil	M2 (Premium Color)	0.027	3
AGC215 - -	Aluminum 15" Coil	(Listed Below)	0.027	2
AGC215M2	Aluminum 15" Coil	M2 (Premium Color)	0.027	2
AGC31134 - -	Aluminum 11-3/4" Coil	(Listed Below)	0.032	3
AGC31178 - -	Aluminum 11-7/8" Coil	(Listed Below)	0.032	3
AGC315 - -	Aluminum 15" Coil	(Listed Below)	0.032	2
*AGC318WH	Aluminum 18" Coil	WH	0.032	2
*AGC318 - - - -	Aluminum 18" Coil	BZ/FR, RB/FR, RB/WH	0.032	2
<i>*18" Gutter Coil cannot be sold in spin down quantities.</i>				
GGC114 - -	Galv. 11-7/8" Coil	PR, WH	26 ga	2
GGC114 - - - -	Galv. 11-7/8" Coil	BB/WH, CC/WH, CG/HG, DS/WH, EG/WH, ES/BZ, HV/WH, MB/WH, PC/WH, RB/WH, RW/BK, TA/CU, VG/WH, WI/WH	26 ga	2
GGC154 - -	Galv.15" Coil	PR, WH	26 ga	2
GGC154 - - - -	Galv.15" Coil	BB/WH, CC/WH, CG/HG, DS/WH, EG/WH, ES/BZ, HV/WH, MB/WH, PC/WH, RB/WH, RW/BK, TA/CU, VG/WH, WI/WH	26 ga	2

Rainware & Accessories Aluminum Colors | • = Color-Thru System™

COLOR	CODE	COLOR	CODE	COLOR	CODE	COLOR	CODE	COLOR	CODE
NX ALMOND	AD	• CLASSIC CREAM	CC	FROST	FR	PATRIOT WHITE	WP	NX SIERRA	SI
• ALMOND	AL	• CLAY	CL	• HARBOR GREY	HG	• PEBBLESTONE CLAY	PC	SILVER GREY*	SG
• BEAVER BROWN	BB	NX DUNE	CD	NX JEFFERSON TAN	JT	• REDWOOD	RW	• TERRA BRONZE	TB
• BLACK	BK	COPPER PENNY*	CP	NX LINEN	LN	• ROYAL BROWN	RB	• VICTORIAN GREY*	VG
• BRONZE	BZ	• COUNTRY BLUE	CU	• LINEN	LI	*RUSTIC COPPER*	M2	VILLAGE GREEN*	VI
BROOKSTONE	BS	• DESERT SAND	DS	MONTANA SUEDE	MS	SAGE*	SA	• WICKER	WI
• BUCKSKIN	BU	EGG SHELL*	ES	• MUSKET BROWN	MB	NX SAND STONE	SS	• 30 WHITE	WH
• CAMEO	CA	EVEREST	EV	• NORWEGIAN WOOD	NW	• SANDTONE	ST	80 WHITE	80
• CHARCOAL GREY	CG	• EVERGREEN	EG						

*Not available – .027: 11-3/4" CP, M2, WP 11-7/8" WP, SA, SG, VI 15" WP, SA
 .032: 11-3/4" CP, ES, M2, SA, VG 11-7/8" CP, M2, WP 15" M2

*Rustic Copper is a PREMIUM color.

Rainware Steel Colors:

COLOR	CODE	COLOR	CODE	COLOR	CODE	COLOR	CODE	COLOR	CODE
BEAVER BROWN	BB	CLASSIC CREAM	CC	EVERGREEN	EG	PEBBLESTONE CLAY	PC	TAHOE BLUE	TA
BLACK	BK	COUNTRY BLUE	CU	HARBOR GREY	HG	PRIME	PR	VICTORIAN GREY	VG
BRONZE	BZ	DESERT SAND	DS	HARVEST BROWN	HV	REDWOOD	RW	WICKER	WI
CHARCOAL GREY	CG	EGGSHELL	ES	MUSKET BROWN	MB	ROYAL BROWN	RB	30 WHITE	WH



NORANDEX™ Gutters

BELOIT PLANT

Spin Down Gutter Coil



Part #	Description	Colors	Nom. Gauge/ Thickness	Pieces/ Pound
ASC21134 - -	Aluminum 11-3/4" Coil	(Listed Below)	0.027	Order by the lb.
ASC21178 - -	Aluminum 11-7/8" Coil	(Listed Below)	0.027	Order by the lb.
ASC21178M2	Aluminum 11-7/8" Coil	M2 (Premium Color)	0.027	Order by the lb.
ASC31134 - -	Aluminum 11-3/4" Coil	(Listed Below)	0.032	Order by the lb.
ASC31178 - -	Aluminum 11-7/8" Coil	(Listed Below)	0.032	Order by the lb.
ASC215 - -	Aluminum 15" Coil	(Listed Below)	0.027	Order by the lb.
ASC215M2	Aluminum 15" Coil	M2 (Premium Color)	0.027	Order by the lb.
ASC315 - -	Aluminum 15" Coil	(Listed Below)	0.032	Order by the lb.
<hr/>				
GSC61178WH	Galvanized 11-7/8" Coil	WH	26 ga	Order by the lb.
GSC61178PR	Galvanized 11-7/8" Coil	PR	26 ga	Order by the lb.
GSC611 - - - -	Galvanized 11-7/8" Coil	BB/WH, CC/WH, CG/HG, DS/WH, EG/WH, ES/BZ, HV/WH, MB/WH, PC/WH, RB/WH, RW/BK, TA/CU, VG/WH, WI/WH	26 ga	Order by the lb.
GSC615 - -	Galvanized 15" Coil	PR, WH	26 ga	Order by the lb.
GSC615 - - - -	Galvanized 15" Coil	BB/WH, CC/WH, CG/HG, DS/WH, EG/WH, ES/BZ, HV/WH, MB/WH, PC/WH, RB/WH, RW/BK, TA/CU, VG/WH, WI/WH	26 ga	Order by the lb.
<hr/>				
LSC61178	Galvalume 11-7/8" Coil	Mill	26 ga	Order by the lb.
LSC615	Galvalume 15" Coil	Mill	26 ga	Order by the lb.
<hr/>				
CSC21178	Copper 11-7/8" Coil	Copper	16 oz	Order by the lb.
CSC215	Copper 15" Coil	Copper	16 oz	Order by the lb.

Note: Min. of 25 lbs./Max. of 150 lbs.

As an extra service, we'll spin down small quantities of a slow moving color on a special order basis. Minimum quantity is 25 lbs.

Please note, once order is activated, no returns or changes can be made.

Pipe Strap Coil



Part #	Description	Colors	Nom. Gauge/ Thickness	Pieces/ Pound
GDSS6125 - -	Galvanized 1-1/4" Pipe Strap	(Listed Below)	26 ga	Order by the lb. (100 lb. minimum)

Rainware & Accessories Aluminum Colors | • = Color-Thru System™

COLOR	CODE	COLOR	CODE	COLOR	CODE	COLOR	CODE	COLOR	CODE
NX ALMOND	AD	• CLASSIC CREAM	CC	FROST	FR	PATRIOT WHITE	WP	NX SIERRA	SI
• ALMOND	AL	• CLAY	CL	• HARBOR GREY	HG	• PEBBLESTONE CLAY	PC	SILVER GREY*	SG
• BEAVER BROWN	BB	NX DUNE	CD	NX JEFFERSON TAN	JT	• REDWOOD	RW	• TERRA BRONZE	TB
• BLACK	BK	COPPER PENNY*	CP	NX LINEN	LN	• ROYAL BROWN	RB	• VICTORIAN GREY*	VG
• BRONZE	BZ	• COUNTRY BLUE	CU	• LINEN	LI	★RUSTIC COPPER*	M2	VILLAGE GREEN*	VI
BROOKSTONE	BS	• DESERT SAND	DS	MONTANA SUEDE	MS	SAGE*	SA	• WICKER	WI
• BUCKSKIN	BU	EGG SHELL*	ES	• MUSKET BROWN	MB	NX SAND STONE	SS	• 30 WHITE	WH
• CAMEO	CA	EVEREST	EV	• NORWEGIAN WOOD	NW	• SANDTONE	ST	80 WHITE	80
• CHARCOAL GREY	CG	• EVERGREEN	EG						

*Not available – .027: 11-3/4" CP, M2 | 11-7/8" SA, SG, VI | 15" ES, SA .032: 11-3/4" CP, ES, M2, SA, VG | 11-7/8" CP, M2

★Rustic Copper is a PREMIUM color.

Rainware Steel Colors:

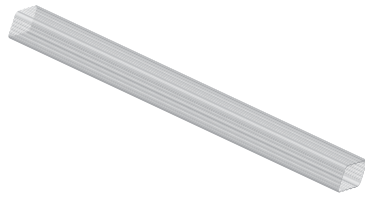
COLOR	CODE	COLOR	CODE	COLOR	CODE	COLOR	CODE	COLOR	CODE
BEAVER BROWN	BB	CLASSIC CREAM	CC	EVERGREEN	EG	PEBBLESTONE CLAY	PC	TAHOE BLUE	TA
BLACK	BK	COUNTRY BLUE	CU	HARBOR GREY	HG	PRIME	PR	VICTORIAN GREY	VG
BRONZE	BZ	DESERT SAND	DS	HARVEST BROWN	HV	REDWOOD	RW	WICKER	WI
CHARCOAL GREY	CG	EGGSHELL	ES	MUSKET BROWN	MB	ROYAL BROWN	RB	30 WHITE	WH



NORANDEX Downspouts

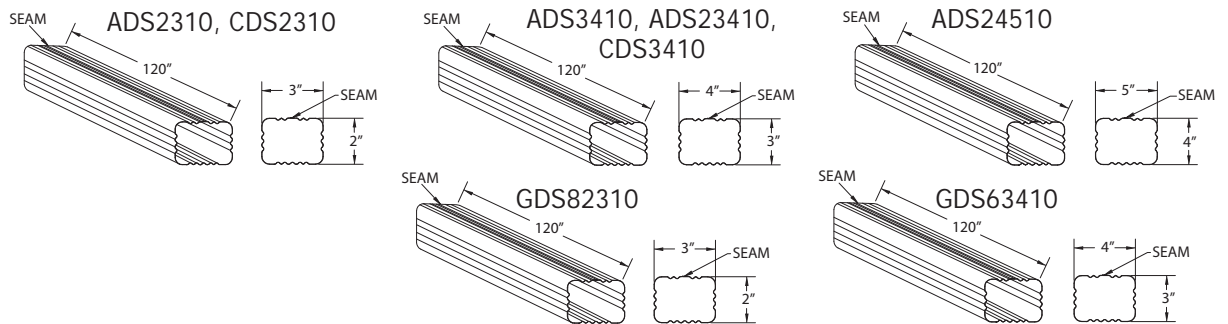
BELOIT PLANT

Downspouts



Part #	Description	Colors	Nom. Gauge/ Thickness	Piece Length	Pieces/ Box	Boxes/ Pallet
ADS238 - -	Aluminum 2 x 3 x 8' DS	(Listed Below)	0.019	8'	10	28
ADS238M2	Aluminum 2 x 3 x 8' DS	M2 (Premium Color)	0.019	8'	10	28
ADS2310 - -	Aluminum 2 x 3 x 10' DS	(Listed Below)	0.019	10'	10	28
ADS2310M2	Aluminum 2 x 3 x 10' DS	M2 (Premium Color)	0.019	10'	10	28
ADS2311 - -	Aluminum 2 x 3 x 11' DS	(Listed Below)	0.019	11'	10	28
ADS348 - -	Aluminum 3 x 4 x 8' DS	(Listed Below)	0.019	8'	10	15
ADS348M2	Aluminum 3 x 4 x 8' DS	M2 (Premium Color)	0.019	8'	10	15
ADS3410 - -	Aluminum 3 x 4 x 10' DS	(Listed Below)	0.019	10'	10	15
ADS3410M2	Aluminum 3 x 4 x 10' DS	M2 (Premium Color)	0.019	10'	10	15
ADS23410 - -	Aluminum 3 x 4 x 10' DS	AL, BK, BZ, CA, CG, CC, CL, EG, FR, MB, NW, PC, RW, RB, TB, WH, WI, 80	0.024	10'	10	15
ADS24510 - -	Aluminum 4 x 5 x 10' DS	*BK, BZ, CC, *CL, ES, FR, RB, ST, *TB, WH, 80	0.027	10'	6	15
GDS8238 - -	Galvanized 2 x 3 x 8' Corrugated	(Steel Colors)	28 ga	8'	10	
GDS8238PR	Galvanized 2 x 3 x 8' Corrugated	Prime	28 ga	8'	10	
GDS82310 - -	Galvanized 2 x 3 x 10' Corrugated	(Steel Colors)	28 ga	10'	10	
GDS82310PR	Galvanized 2 x 3 x 10' Corrugated	Prime	28 ga	10'	10	
GDS82310ML	Galvanized 2 x 3 x 10' Corrugated	Mill	28 ga	10'	10	
GDS63410 - -	Galvanized 3 x 4 Corrugated	(Steel Colors)	26 ga	10'	5	
GDS63410PR	Galvanized 3 x 4 Corrugated	Prime	26 ga	10'	5	
GDS63410ML	Galvanized 3 x 4 Corrugated	Mill	26 ga	10'	5	
LDS238	Galvalume 2 x 3 x 8' DS	Mill	26 ga	10'	10	
LDS2310	Galvalume 2 x 3 x 10' DS	Mill	26 ga	10'	10	
LDS348	Galvalume 3 x 4 x 8' DS	Mill	26 ga	10'	10	
LDS3410	Galvalume 3 x 4 x 10' DS	Mill	26 ga	10'	10	
CDS2310	Copper 2 x 3 x 10' DS	Copper	10 oz	10'	Order by the pc.	
CDS3410	Copper 3 x 4 x 10' DS	Copper	10 oz	10'	Order by the pc.	

***Note:** Extended lead time required for this part in these colors.



Rainware & Accessories Aluminum Colors | • = Color-Thru System™

COLOR	CODE	COLOR	CODE	COLOR	CODE	COLOR	CODE	COLOR	CODE
NX ALMOND	AD	• CLASSIC CREAM	CC	FROST	FR	PATRIOT WHITE	WP	NX SIERRA	SI
• ALMOND	AL	• CLAY	CL	• HARBOR GREY	HG	• PEBBLESTONE CLAY	PC	SILVER GREY	SG
• BEAVER BROWN	BB	NX DUNE	CD	NX JEFFERSON TAN	JT	• REDWOOD	RW	• TERRA BRONZE	TB
• BLACK	BK	COPPER PENNY	CP	NX LINEN	LN	• ROYAL BROWN	RB	• VICTORIAN GREY	VG
• BRONZE	BZ	• COUNTRY BLUE	CU	• LINEN	LI	• *RUSTIC COPPER	M2	VILLAGE GREEN	VI
BROOKSTONE	BS	• DESERT SAND	DS	MONTANA SUEDE	MS	SAGE	SA	• WICKER	WI
• BUCKSKIN	BU	EGG SHELL	ES	• MUSKET BROWN	MB	NX SAND STONE	SS	• 30 WHITE	WH
• CAMEO	CA	EVEREST	EV	• NORWEGIAN WOOD	NW	• SANDTONE	ST	80 WHITE	80
• CHARCOAL GREY	CG	• EVERGREEN	EG						

***Rustic Copper is a PREMIUM color.**

Rainware Steel Colors:

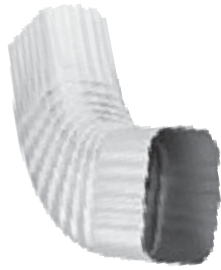
COLOR	CODE	COLOR	CODE	COLOR	CODE	COLOR	CODE	COLOR	CODE
BEAVER BROWN	BB	CLASSIC CREAM	CC	EVERGREEN	EG	PEBBLESTONE CLAY	PC	TAHOE BLUE	TA
BLACK	BK	COUNTRY BLUE	CU	HARBOR GREY	HG	PRIME	PR	VICTORIAN GREY	VG
BRONZE	BZ	DESERT SAND	DS	HARVEST BROWN	HV	REDWOOD	RW	WICKER	WI
CHARCOAL GREY	CG	EGGSHELL	ES	MUSKET BROWN	MB	ROYAL BROWN	RB	30 WHITE	WH



NORANDEX™ Elbows

BELOIT PLANT

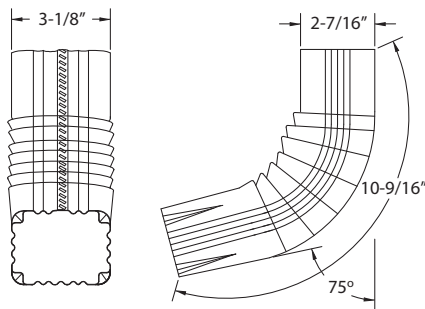
Elbows



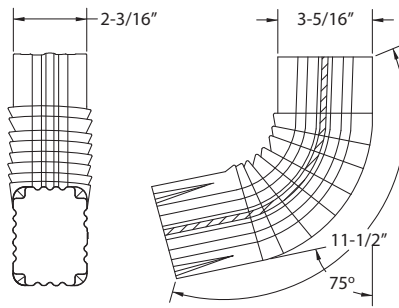
Part #	Description	Colors	Nom. Gauge/ Thickness	Piece Length	Pieces/ Box	Boxes/ Pallet
AAE23 - -	Aluminum 2 x 3 A's	(Listed Below)	0.019	10-9/16"	30	32
AAE23 - -	Aluminum 2 x 3 A's	M2 (Premium Color)	0.019	10-9/16"	30	32
ABE23 - -	Aluminum 2 x 3 B's	(Listed Below)	0.019	11-1/2"	30	32
ABE23 - -	Aluminum 2 x 3 B's	M2 (Premium Color)	0.019	11-1/2"	30	32
AAE34 - -	Aluminum 3 x 4 A's	(Listed Below)	0.019	12-3/4"	30	16
AAE34 - -	Aluminum 3 x 4 A's	M2 (Premium Color)	0.019	12-3/4"	30	16
ABE34 - -	Aluminum 3 x 4 B's	(Listed Below)	0.019	15"	30	16
ABE34 - -	Aluminum 3 x 4 B's	M2 (Premium Color)	0.019	15"	30	16
AAE234 - -	Aluminum 3 x 4 A's	AL, BK, BZ, CA, CG, CC, CL, EG, FR, MB, NW, PC, RW, RB, TB, WI, WH, 80	0.024	12-3/4"	30	16
ABE234 - -	Aluminum 3 x 4 B's	AL, BK, BZ, CA, CG, CC, CL, EG, FR, MB, NW, PC, RW, RB, TB, WI, WH, 80	0.024	15"	30	16
AAE245 - -	Aluminum 4 x 5 A's	*BK, BZ, CC, *CL, ES, FR, RB, ST, *TB, WH, 80	0.027	15-1/2"	9	12
ABE245 - -	Aluminum 4 x 5 B's	*BK, BZ, CC, *CL, ES, FR, RB, ST, *TB, WH, 80	0.027	15-3/4"	9	12

*Note: Extended lead time required for this part in these colors.

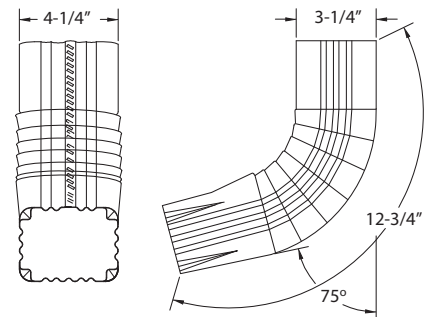
AAE23, CAE23 A-Elbow



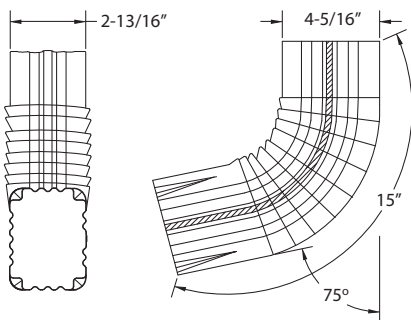
ABE23, CAE23 B-Elbow



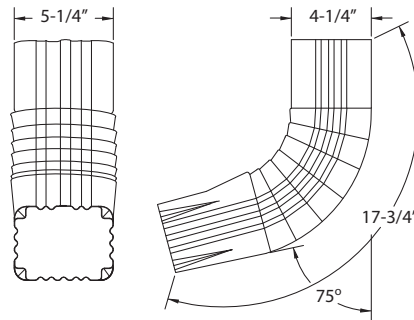
AAE34, AAE234, CAE34 A-Elbow



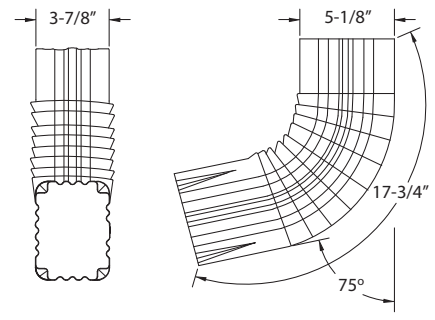
ABE34, ABE234, CBE34 B-Elbow



AAE245 A-Elbow



ABE245 B-Elbow



Rainware & Accessories Aluminum Colors | • = Color-Thru System™

COLOR	CODE	COLOR	CODE	COLOR	CODE	COLOR	CODE	COLOR	CODE
NX ALMOND	AD	• CLASSIC CREAM	CC	FROST	FR	PATRIOT WHITE	WP	NX SIERRA	SI
• ALMOND	AL	• CLAY	CL	• HARBOR GREY	HG	• PEBBLESTONE CLAY	PC	SILVER GREY	SG
• BEAVER BROWN	BB	NX DUNE	CD	NX JEFFERSON TAN	JT	• REDWOOD	RW	• TERRA BRONZE	TB
• BLACK	BK	COPPER PENNY	CP	NX LINEN	LN	• ROYAL BROWN	RB	• VICTORIAN GREY	VG
• BRONZE	BZ	• COUNTRY BLUE	CU	• LINEN	LI	• RUSTIC COPPER	M2	VILLAGE GREEN	VI
BROOKSTONE	BS	• DESERT SAND	DS	MONTANA SUEDE	MS	SAGE	SA	• WICKER	WI
• BUCKSKIN	BU	EGG SHELL	ES	• MUSKET BROWN	MB	NX SAND STONE	SS	• 30 WHITE	WH
• CAMEO	CA	• EVEREST	EV	• NORWEGIAN WOOD	NW	• SANDTONE	ST	80 WHITE	80
• CHARCOAL GREY	CG	• EVERGREEN	EG						

*Rustic Copper is a PREMIUM color.



NORANDEX™ Elbows

BELOIT PLANT

Elbows cont.

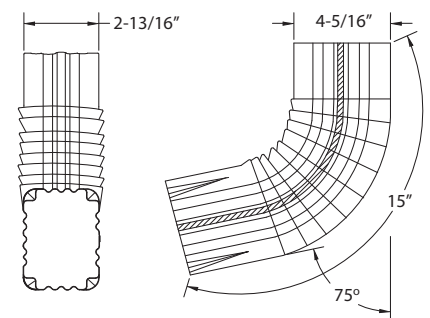
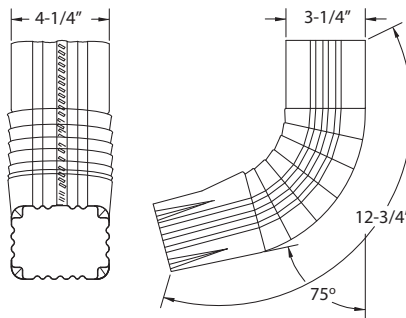
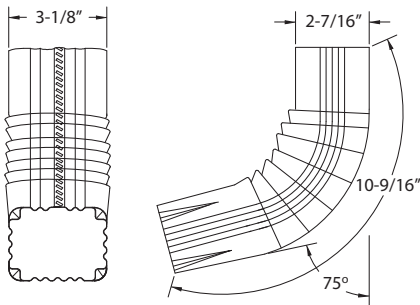


Part #	Description	Colors	Nom. Gauge/ Thickness	Piece Length	Pieces/ Box	Boxes/ Pallet
GAE823 - -	Galv. 2 x 3 A Corrugated	(Steel Colors)	28 ga	10-9/16"	30	32
GBE823 - -	Galv. 2 x 3 B Corrugated	(Steel Colors)	28 ga	11-1/2"	30	32
GAE823PR	Galv. 2 x 3 A Corrugated	Prime	28 ga	10-9/16"	30	32
GBE823PR	Galv. 2 x 3 B Corrugated	Prime	28 ga	11-1/2"	30	32
GAE823ML	Galv. 2 x 3 A Corrugated	Mill	28 ga	10-9/16"	30	32
GBE823ML	Galv. 2 x 3 B Corrugated	Mill	28 ga	11-1/2"	30	32
GAE634 - -	Galv. 3 x 4 A Corrugated	(Steel Colors)	26 ga	12-3/4"	30	16
GBE634 - -	Galv. 3 x 4 B Corrugated	(Steel Colors)	26 ga	15"	30	16
GAE634PR	Galv. 3 x 4 A Corrugated	Prime	26 ga	12-3/4"	30	16
GBE634PR	Galv. 3 x 4 B Corrugated	Prime	26 ga	15"	30	16
GAE634ML	Galv. 3 x 4 A Corrugated	Mill	26 ga	12-3/4"	30	16
GBE634ML	Galv. 3 x 4 B Corrugated	Mill	26 ga	15"	30	16
LAE23	Galvalume 2 x 3 A's	Mill	26 ga	12-3/4"	Order by the pc.	
LBE23	Galvalume 2 x 3 B's	Mill	26 ga	15"	Order by the pc.	
LAE34	Galvalume 3 x 4 A's	Mill	26 ga	12-3/4"	Order by the pc.	
LBE34	Galvalume 3 x 4 B's	Mill	26 ga	15"	Order by the pc.	
CAE23	Copper 2 x 3 A's	Copper	10 oz	10-9/16"	Order by the pc.	
CBE23	Copper 2 x 3 B's	Copper	10 oz	11-1/2"	Order by the pc.	
CAE34	Copper 3 x 4 A's	Copper	10 oz	12-3/4"	Order by the pc.	
CBE34	Copper 3 x 4 B's	Copper	10 oz	15"	Order by the pc.	

GAE23 A-Elbow

GAE34 A-Elbow

GBE34 B-Elbow



Rainware Steel Colors:

COLOR	CODE	COLOR	CODE	COLOR	CODE	COLOR	CODE	COLOR	CODE
BEAVER BROWN	BB	CLASSIC CREAM	CC	EVERGREEN	EG	PEBBLESTONE CLAY	PC	TAHOE BLUE	TA
BLACK	BK	COUNTRY BLUE	CU	HARBOR GREY	HG	PRIME	PR	VICTORIAN GREY	VG
BRONZE	BZ	DESERT SAND	DS	HARVEST BROWN	HV	REDWOOD	RW	WICKER	WI
CHARCOAL GREY	CG	EGGSHELL	ES	MUSKET BROWN	MB	ROYAL BROWN	RB	30 WHITE	WH



NORANDEX™ Variable Degree Elbows

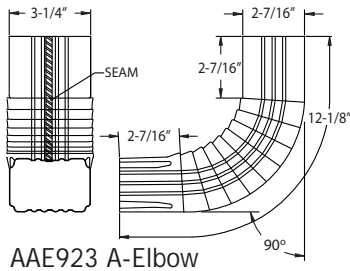
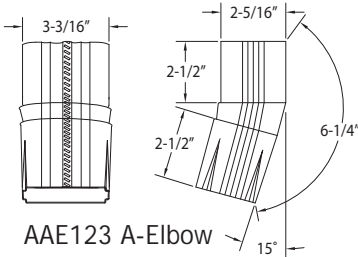
BELOIT PLANT

Variable Degree Elbows

This chart shows the roof pitch paired to the approximate variable degree elbow.

ROOF PITCH	DEGREE	CRIMP QTY.
Mansard	15°	1
18/12	22°	2
16/12	22°	2
14/12	22°	2
12/12	30°	3
10/12	45°	4
8/12	45°	4
6/12	45°	4
4/12	75°	7

Variable degree elbows are used to go around obstructions (edge jumpers) or transition to the slope of the roof. Number of crimps to create angle can vary with manufacturer.



Part #	Description	Colors	Nom. Gauge/Thickness	Pieces/Box	Boxes/Pallet
AAE123 - -	Aluminum 2 x 3 A's 15°	(Listed Below)	0.019	30	32
AAE2223 - -	Aluminum 2 x 3 A's 22°	(Listed Below)	0.019	30	16
AAE323 - -	Aluminum 2 x 3 A's 30°	(Listed Below)	0.019	30	16
AAE423 - -	Aluminum 2 x 3 A's 45°	(Listed Below)	0.019	30	16
AAE923 - -	Aluminum 2 x 3 A's 90°	(Listed Below)	0.019	30	16
AAE134 - -	Aluminum 3 x 4 A's 15°	(Listed Below)	0.019	30	6
AAE2234 - -	Aluminum 3 x 4 A's 22°	(Listed Below)	0.019	30	16
AAE334 - -	Aluminum 3 x 4 A's 30°	(Listed Below)	0.019	30	8
AAE434 - -	Aluminum 3 x 4 A's 45°	(Listed Below)	0.019	30	16
AAE934 - -	Aluminum 3 x 4 A's 90°	(Listed Below)	0.019	30	16
AAE4245 - -	Aluminum 4 x 5 A's 45°	*BK, BZ, CC, *CL, ES, FR, RB, ST, *TB, WH, 80	0.027	9	20
ABE123 - -	Aluminum 2 x 3 B's 15°	(Listed Below)	0.019	30	32
ABE2223 - -	Aluminum 2 x 3 B's 22°	(Listed Below)	0.019	30	16
ABE323 - -	Aluminum 2 x 3 B's 30°	(Listed Below)	0.019	30	16
ABE423 - -	Aluminum 2 x 3 B's 45°	(Listed Below)	0.019	30	16
ABE923 - -	Aluminum 2 x 3 B's 90°	(Listed Below)	0.019	30	16
ABE134 - -	Aluminum 3 x 4 B's 15°	(Listed Below)	0.019	30	6
ABE2234 - -	Aluminum 3 x 4 B's 22°	(Listed Below)	0.019	30	16
ABE334 - -	Aluminum 3 x 4 B's 30°	(Listed Below)	0.019	30	6
ABE434 - -	Aluminum 3 x 4 B's 45°	(Listed Below)	0.019	30	16
ABE934 - -	Aluminum 3 x 4 B's 90°	(Listed Below)	0.019	30	16
ABE4245 - -	Aluminum 4 x 5 B's 45°	*BK, BZ, CC, *CL, ES, FR, RB, ST, *TB, WH, 80	0.027	9	20
LAE334 - -	Galvalume 3 x 4 A's 30°	Mill	26 ga	30	16
LAE434 - -	Galvalume 3 x 4 A's 45°	Mill	26 ga	30	16

*Note: Extended lead time required for this part in these colors.

Galvanized 15°, 22°, 30°, & 45° elbows also available in steel colors listed below. Please check color availability with our Customer Service team.

- Part #'s for "A" 2 x 3: 15° = GAE8123 - - 22° = GAE82223 - - 30° = GAE8323 - - 45° = GAE8423 - -
- Part #'s for "B" 2 x 3: 15° = GBE8123 - - 22° = GBE82223 - - 30° = GBE8323 - - 45° = GBE8423 - -
- Part #'s for "A" 3 x 4: 15° = GAE6134 - - 22° = GAE62234 - - 30° = GAE6334 - - 45° = GAE6434 - -
- Part #'s for "B" 3 x 4: 15° = GBE6134 - - 22° = GBE62234 - - 30° = GBE6334 - - 45° = GBE6434 - -

Rainware & Accessories Aluminum Colors | • = Color-Thru System™

COLOR	CODE	COLOR	CODE	COLOR	CODE	COLOR	CODE	COLOR	CODE
NX ALMOND	AD	• CLASSIC CREAM	CC	• EVERGREEN	EG	• NORWEGIAN WOOD	NW	NX SIERRA	SI
• ALMOND	AL	• CLAY	CL	FROST	FR	PATRIOT WHITE	WP	SILVER GREY	SG
• BEAVER BROWN	BB	NX DUNE	CD	• HARBOR GREY	HG	• PEBBLESTONE CLAY	PC	• TERRA BRONZE	TB
• BLACK	BK	COPPER PENNY	CP	NX JEFFERSON TAN	JT	• REDWOOD	RW	• VICTORIAN GREY	VG
• BRONZE	BZ	• COUNTRY BLUE	CU	NX LINEN	LN	• ROYAL BROWN	RB	VILLAGE GREEN	VI
BROOKSTONE	BS	• DESERT SAND	DS	• LINEN	LI	SAGE	SA	• WICKER	WI
• BUCKSKIN	BU	EGG SHELL	ES	MONTANA SUEDE	MS	NX SAND STONE	SS	• 30 WHITE	WH
• CAMEO	CA	EVEREST	EV	• MUSKET BROWN	MB	• SANDTONE	ST	80 WHITE	80
• CHARCOAL GREY	CG								

Rainware Steel Colors:

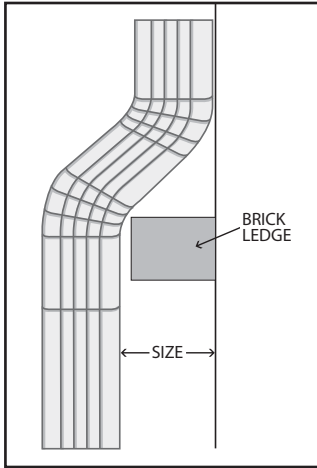
COLOR	CODE	COLOR	CODE	COLOR	CODE	COLOR	CODE	COLOR	CODE
BEAVER BROWN	BB	CLASSIC CREAM	CC	EVERGREEN	EG	PEBBLESTONE CLAY	PC	TAHOE BLUE	TA
BLACK	BK	COUNTRY BLUE	CU	HARBOR GREY	HG	PRIME	PR	VICTORIAN GREY	VG
BRONZE	BZ	DESERT SAND	DS	HARVEST BROWN	HV	REDWOOD	RW	WICKER	WI
CHARCOAL GREY	CG	EGGSHELL	ES	MUSKET BROWN	MB	ROYAL BROWN	RB	30 WHITE	WH



NORANDEX™ Offsets

BELOIT PLANT

Offsets

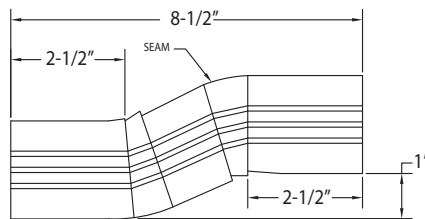


We have several varieties of offset downspout connections to transition gracefully over a brick ledge. You can eliminate the awkward look of a two-piece configuration with our choice of 1" to 6" away-from-the-wall options.

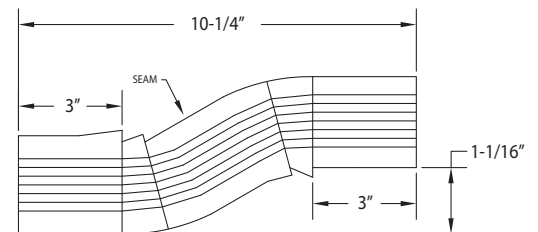
Part #	Description	Colors	Nom. Gauge/Thickness	Pieces/Box
ABO2A23A	Alum. Brickledge Offsets (2 pc.) 2 x 3 A's, 3 Crimps	(Listed Below)	0.019	18 sets
ABO2A23BMB	Alum. Brickledge Offsets (2 pc.) 2 x 3 B's, 3 Crimps	MB	0.019	18 sets
ABO2A34A	Alum. Brickledge Offsets (2 pc.) 3 x 4 A's, 3 Crimps	** (Listed Below)	0.019	18 sets
ABO1123A	Aluminum 2 x 3 - 1" A's	(Listed Below)	0.019	24
ABO1123AM2	Aluminum 2 x 3 - 1" A's	M2 (Premium Color)	0.019	24
ABO1223A	Aluminum 2 x 3 - 2" A's	(Listed Below)	0.019	24
ABO1223AM2	Aluminum 2 x 3 - 2" A's	M2 (Premium Color)	0.019	24
ABO1323A	Aluminum 2 x 3 - 3" A's	(Listed Below)	0.019	24
ABO1323AM2	Aluminum 2 x 3 - 3" A's	M2 (Premium Color)	0.019	24
ABO1423A	Aluminum 2 x 3 - 4" A's	(Listed Below)	0.019	20
ABO1423AM2	Aluminum 2 x 3 - 4" A's	M2 (Premium Color)	0.019	20
ABO1523A	Aluminum 2 x 3 - 5" A's	(Listed Below)	0.019	20
ABO1623A	Aluminum 2 x 3 - 6" A's	(Listed Below)	0.019	20
ABO1134A	Aluminum 3 x 4 - 1" A's	(Listed Below)	0.019	24
ABO1134AM2	Aluminum 3 x 4 - 1" A's	M2 (Premium Color)	0.019	24
ABO1234A	Aluminum 3 x 4 - 2" A's	(Listed Below)	0.019	24
ABO1234AM2	Aluminum 3 x 4 - 2" A's	M2 (Premium Color)	0.019	24
ABO1334A	Aluminum 3 x 4 - 3" A's	(Listed Below)	0.019	24
ABO1334AM2	Aluminum 3 x 4 - 3" A's	M2 (Premium Color)	0.019	24
ABO1434A	Aluminum 3 x 4 - 4" A's	(Listed Below)	0.019	20
ABO1434AM2	Aluminum 3 x 4 - 4" A's	M2 (Premium Color)	0.019	20
ABO1534A	Aluminum 3 x 4 - 5" A's	(Listed Below)	0.019	20
ABO1634A	Aluminum 3 x 4 - 6" A's	(Listed Below)	0.019	20
ABO1145A	Aluminum 4 x 5 - 1" A's	*BK, BZ, CC, *CL, ES, FR, RB, ST, *TB, WH, 80	0.027	9
ABO1245A	Aluminum 4 x 5 - 2" A's	*BK, BZ, CC, *CL, ES, FR, RB, ST, *TB, WH, 80	0.027	9
ABO1345A	Aluminum 4 x 5 - 3" A's	*BK, BZ, CC, *CL, ES, FR, RB, ST, *TB, WH, 80	0.027	9
ABO1445A	Aluminum 4 x 5 - 4" A's	*BK, BZ, CC, *CL, ES, FR, RB, ST, *TB, WH, 80	0.027	9
ABO1545A	Aluminum 4 x 5 - 5" A's	*BK, BZ, CC, *CL, ES, FR, RB, ST, *TB, WH, 80	0.027	9
ABO1645A	Aluminum 4 x 5 - 6" A's	*BK, BZ, CC, *CL, ES, FR, RB, ST, *TB, WH, 80	0.027	9

*Note: Extended lead time required for this part in these colors. **ABO2A34A not available in SI.

ABO1123A A-Offset



ABO1134A A-Offset



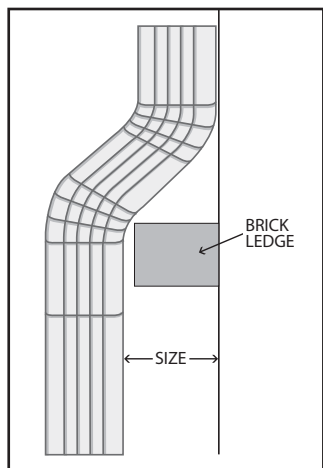
Rainware & Accessories Aluminum Colors | • = Color-Thru System™

COLOR	CODE	COLOR	CODE	COLOR	CODE	COLOR	CODE	COLOR	CODE
NX ALMOND	AD	• CLASSIC CREAM	CC	FROST	FR	PATRIOT WHITE	WP	NX SIERRA	SI
• ALMOND	AL	• CLAY	CL	• HARBOR GREY	HG	• PEBBLESTONE CLAY	PC	SILVER GREY	SG
• BEAVER BROWN	BB	NX DUNE	CD	• NX JEFFERSON TAN	JT	• REDWOOD	RW	• TERRA BRONZE	TB
• BLACK	BK	COPPER PENNY	CP	NX LINEN	LN	• ROYAL BROWN	RB	• VICTORIAN GREY	VG
• BRONZE	BZ	• COUNTRY BLUE	CU	• LINEN	LI	★ RUSTIC COPPER	M2	VILLAGE GREEN	VI
BROOKSTONE	BS	• DESERT SAND	DS	MONTANA SUEDE	MS	SAGE	SA	• WICKER	WI
• BUCKSKIN	BU	EGG SHELL	ES	• MUSKET BROWN	MB	NX SAND STONE	SS	• 30 WHITE	WH
• CAMEO	CA	EVEREST	EV	• NORWEGIAN WOOD	NW	• SANDTONE	ST	80 WHITE	80
• CHARCOAL GREY	CG	• EVERGREEN	EG						

★Rustic Copper is a PREMIUM color.



Offsets *cont.*



Part #	Description	Colors	Nom. Gauge/ Thickness	Pieces/ Box	Boxes/ Pallet
GBO1123A	Galvanized 2 x 3 - 1" A's	(Steel Colors)	26 ga	24	32
GBO1223A	Galvanized 2 x 3 - 2" A's	(Steel Colors)	26 ga	24	32
GBO1323A	Galvanized 2 x 3 - 3" A's	(Steel Colors)	26 ga	24	32
GBO1423A	Galvanized 2 x 3 - 4" A's	(Steel Colors)	26 ga	24	32
GBO1234A	Galvanized 3 x 4 - 2" A's	(Steel Colors)	26 ga	24	32
GBO1334A	Galvanized 3 x 4 - 3" A's	(Steel Colors)	26 ga	24	32
GBO1334APR	Galvanized 3 x 4 - 3" A's	Prime	26 ga	24	32
GBO1434A	Galvanized 3 x 4 - 4" A's	(Steel Colors)	26 ga	24	32
GBO1434APR	Galvanized 3 x 4 - 4" A's	Prime	26 ga	24	32
LBO1123A	Galvalume 2 x 3 - 1" A's	Mill	26 ga	Order by the pc.	
LBO1223A	Galvalume 2 x 3 - 2" A's	Mill	26 ga	Order by the pc.	
LBO1323A	Galvalume 2 x 3 - 3" A's	Mill	26 ga	Order by the pc.	
LBO1423A	Galvalume 2 x 3 - 4" A's	Mill	26 ga	Order by the pc.	
LBO1623A	Galvalume 2 x 3 - 6" A's	Mill	26 ga	Order by the pc.	
LBO1134A	Galvalume 3 x 4 - 1" A's	Mill	26 ga	Order by the pc.	
LBO1234A	Galvalume 3 x 4 - 2" A's	Mill	26 ga	Order by the pc.	
LBO1334A	Galvalume 3 x 4 - 3" A's	Mill	26 ga	Order by the pc.	
LBO1434A	Galvalume 3 x 4 - 4" A's	Mill	26 ga	Order by the pc.	
LBO1534A	Galvalume 3 x 4 - 5" A's	Mill	26 ga	Order by the pc.	
LBO1634A	Galvalume 3 x 4 - 6" A's	Mill	26 ga	Order by the pc.	
CBO1223A	Copper 2 x 3 - 2" A's	Copper	10 oz	Order by the pc.	
CBO1323A	Copper 2 x 3 - 3" A's	Copper	10 oz	Order by the pc.	
CBO1423A	Copper 2 x 3 - 4" A's	Copper	10 oz	Order by the pc.	
CBO1134A	Copper 3 x 4 - 1" A's	Copper	10 oz	Order by the pc.	
CBO1234A	Copper 3 x 4 - 2" A's	Copper	10 oz	Order by the pc.	
CBO1334A	Copper 3 x 4 - 3" A's	Copper	10 oz	Order by the pc.	
CBO1434A	Copper 3 x 4 - 4" A's	Copper	10 oz	Order by the pc.	
CBO1634A	Copper 3 x 4 - 6" A's	Copper	10 oz	Order by the pc.	

Conductor Heads

Part #	Description	Colors	Pieces/ Box
ACH3 - -	Aluminum 3" Conductor Head	RB, WH	Order by the pc.
ACH4 - -	Aluminum 4" Conductor Head	RB, WH	Order by the pc.
CCH3 - -	Copper 3" Conductor Head	Copper	Order by the pc.

Rainware Aluminum Colors:

COLOR	CODE	COLOR	CODE
ROYAL BROWN	RB	WHITE	WH

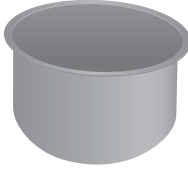
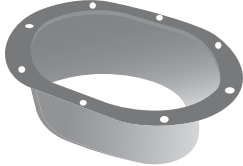
Rainware Steel Colors:


COLOR	CODE	COLOR	CODE	COLOR	CODE	COLOR	CODE	COLOR	CODE
BEAVER BROWN	BB	CLASSIC CREAM	CC	EVERGREEN	EG	PEBBLESTONE CLAY	PC	TAHOE BLUE	TA
BLACK	BK	COUNTRY BLUE	CU	HARBOR GREY	HG	PRIME	PR	VICTORIAN GREY	VG
BRONZE	BZ	DESERT SAND	DS	HARVEST BROWN	HV	REDWOOD	RW	WICKER	WI
CHARCOAL GREY	CG	EGGSHELL	ES	MUSKET BROWN	MB	ROYAL BROWN	RB	30 WHITE	WH

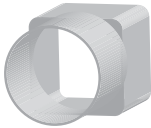


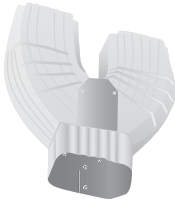
NORANDEX™ Downspout Accessories

BELOIT PLANT

Outlets		Part #	Description	Colors	Nom. Gauge/ Thickness	Pieces/ Box
Round Outlet 	AORE23ML	Aluminum 2 x 3 Rectangle Outlet	Mill	0.019	30	
	AORE34ML	Aluminum 3 x 4 Rectangle Outlet	Mill	0.019	50	
	AEORE34ML	Aluminum 3 x 4 Econ. Rectangle Outlet	Mill	0.016	50	
	AORE45ML	Aluminum 4 x 5 Rectangle Outlet	Mill	0.019	50	
	AORO238ML	Aluminum 2-3/8" Round Outlet	Mill	0.019	250	
	AORO234ML	Aluminum 2-3/4" Round Outlet	Mill	0.019	250	
	AORO338ML	Aluminum 3-3/8" Round Outlet	Mill	0.019	100	
	AOOV23ML	Aluminum 2 x 3 Oval Outlet	Mill	0.019	30	
	AOOV34ML	Aluminum 3 x 4 Oval Outlet	Mill	0.019	50	
	AOOVN34ML	Aluminum 3 x 4 Oval Narrow Flange Outlet	Mill	0.019	50	
Oval Outlet 	GOOV3ML	Galvanized 3" Oval Drop Outlet	Mill	28 ga	50	
	GOOV4ML	Galvanized 4" Oval Drop Outlet	Mill	28 ga	50	
	CORE23	Copper 2 x 3 Rectangle Outlet	Copper	16 oz	Order by the pc.	
	CORE34	Copper 3 x 4 Rectangle Outlet	Copper	16 oz	Order by the pc.	

Wire Strainers		Part #	Description	Colors	Pieces/ Box
	GWS3	Galvanized 3" Wire Strainer	Mill	50	
	GWS4	Galvanized 4" Wire Strainer	Mill	50	

PVC Adapters		Part #	Description	Colors	Pieces/ Box
	APVC233WH	PVC 2 x 3 x 3 Flush Mount Adapter	WH	36	
	APVC234WH	PVC 2 x 3 x 4 Flush Mount Adapter	WH	22	
	APVC234BK	PVC 2 x 3 x 4 Flush Mount Adapter	BK	12	
	APVC344WH	PVC 3 x 4 x 4 Flush Mount Adapter	WH	24	
	APVC344BK	PVC 3 x 4 x 4 Flush Mount Adapter	BK	12	

Y Adapters		Part #	Description	Colors	Nom. Gauge/ Thickness	Pieces/ Box
	AYA23 - -	Aluminum 2 x 3 Y Adapter	RB, WH	0.019	10	
	AYA34 - -	Aluminum 3 x 4 Y Adapter	RB, WH	0.019	10	

Rainware Aluminum Colors:

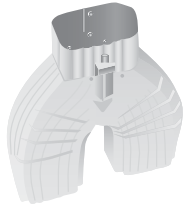
COLOR	CODE	COLOR	CODE	COLOR	CODE
BLACK	BK	ROYAL BROWN	RB	WHITE	WH



NORANDEX™ Downspout Accessories

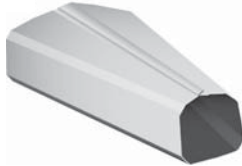
BELOIT PLANT

Y Diverters



Part #	Description	Colors	Nom. Gauge/ Thickness	Pieces/ Box
AYD23 - -	Aluminum 2 x 3 Y Diverter	RB, WH	0.019	10
AYD34 - -	Aluminum 3 x 4 Y Diverter	RB, WH	0.019	10

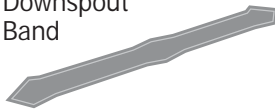
Funnels



Part #	Description	Colors	Nom. Gauge/ Thickness	Pieces/ Box
AFN23 - -	Aluminum 2 x 3 Funnel	RB, WH	0.018	12
AFN34 - -	Aluminum 3 x 4 Funnel	RB, WH	0.018	12

Downspout Bands/Straps

Downspout Band



Part #	Description	Colors	Nom. Gauge/ Thickness	Pieces/ Box
ADSPB34 - -	Universal 3 x 4 DS Band	(Listed Below)	0.019	100
ADSPB34M2	Universal 3 x 4 DS Band	M2 (Premium Color)	0.019	100
GDSPB23 - -	Galv. 2 x 3 Universal DS Band	(Steel Colors)	28 ga	100
GDSPB34 - -	Galv. 3 x 4 Universal DS Band	(Steel Colors)	28 ga	100
GDSPB34PR	Galv. 3 x 4 Universal DS Band	PR	28 ga	100
CDSPB34	Copper 3 x 4 DS Band	Copper	16 oz	Order by the pc.

Downspout Clips



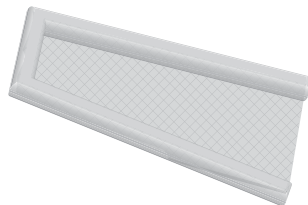
Part #	Description	Colors	Nom. Gauge/ Thickness	Pieces/ Box
ADSCP23 - -	Aluminum 2 x 3 Clip	(Listed Below)	0.032	100
ADSCP34 - -	Aluminum 3 x 4 Clip	(Listed Below)	0.032	50
CDSCP23	Copper 2 x 3 Clip	Copper	16 oz	Order by the pc.

Downspout Hinges



Part #	Description	Colors	Pairs/ Bag	Bags/ Box	Pieces/ Box
AZWHH	Aluminum 2 x 3 / 3 x 4 Zip Hinge	WH	12 pairs	20	240 pairs
GDHA23WH	Galvanized 2 x 3 A Hinge	WH			12
GDHA34WH	Galvanized 3 x 4 A Hinge	WH			12
GDHB23WH	Galvanized 2 x 3 B Hinge	WH			12
GDHB34WH	Galvanized 3 x 4 B Hinge	WH			12

Splash Blocks



Part #	Description	Colors	Pieces/ Box
SBGN	Splash Block	Green	Order by the pc. 20 pcs./box

Rainware & Accessories Aluminum Colors | • = Color-Thru System™

COLOR	CODE	COLOR	CODE	COLOR	CODE	COLOR	CODE	COLOR	CODE
NX ALMOND	AD	• CLASSIC CREAM	CC	FROST	FR	PATRIOT WHITE	WP	NX SIERRA	SI
• ALMOND	AL	• CLAY	CL	• HARBOR GREY	HG	• PEBBLESTONE CLAY	PC	SILVER GREY*	SG
• BEAVER BROWN	BB	NX DUNE	CD	NX JEFFERSON TAN	JT	• REDWOOD	RW	• TERRA BRONZE	TB
• BLACK	BK	COPPER PENNY*	CP	NX LINEN	LN	• ROYAL BROWN	RB	• VICTORIAN GREY*	VG
• BRONZE	BZ	• COUNTRY BLUE	CU	• LINEN	LI	★RUSTIC COPPER	M2	VILLAGE GREEN*	VI
BROOKSTONE	BS	• DESERT SAND	DS	MONTANA SUEDE	MS	SAGE*	SA	• WICKER	WI
• BUCKSKIN	BU	EGG SHELL*	ES	• MUSKET BROWN	MB	NX SAND STONE	SS	• 30 WHITE	WH
• CAMEO	CA	EVEREST	EV	• NORWEGIAN WOOD	NW	• SANDTONE	ST	80 WHITE	80
• CHARCOAL GREY	CG	• EVERGREEN	EG						

*Rustic Copper is a PREMIUM color.

NORANDEX™ Miters

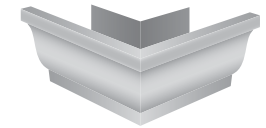
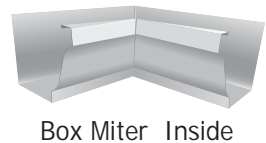
BELOIT PLANT

Extreme™ Miters



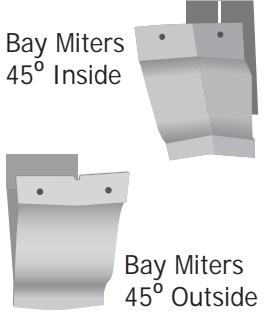
Part #	Description	Colors	Nom. Gauge/ Thickness	Pieces/ Box
AEM5 - -	Aluminum 5" Extreme™ Miter	RB, WH, 80	0.019	10

Box Miters



Part #	Description	Colors	Nom. Gauge/ Thickness	Pieces/ Box
ABM5I - -	Aluminum 5" Inside	(Listed Below)	0.019	20
ABM5O - -	Aluminum 5" Outside	(Listed Below)	0.019	20
ABM6I - -	Aluminum 6" Inside	(Listed Below)	0.019	20
ABM6O - -	Aluminum 6" Outside	(Listed Below)	0.019	20
GBM5I - -	Galvanized 5" Inside	(Steel Colors)	28 ga	20
GBM5IPR	Galvanized 5" Inside	Prime	28 ga	20
GBM5O - -	Galvanized 5" Outside	(Steel Colors)	28 ga	20
GBM5OPR	Galvanized 5" Outside	Prime	28 ga	20
GBM6I - -	Galvanized 6" Inside	RB, WH	28 ga	20
GBM6IPR	Galvanized 6" Inside	Prime	28 ga	20
GBM6O - -	Galvanized 6" Outside	RB, WH	28 ga	20
GBM6OPR	Galvanized 6" Outside	Prime	28 ga	20
LBM6I - -	Galvalume 6" Inside	Mill	26 ga	20
LBM6O - -	Galvalume 6" Outside	Mill	26 ga	20
CBM5I	Copper 5" Inside	Copper	16 oz	Order by the pc.
CBM5O	Copper 5" Outside	Copper	16 oz	Order by the pc.
CBM6I	Copper 6" Inside	Copper	16 oz	Order by the pc.
CBM6O	Copper 6" Outside	Copper	16 oz	Order by the pc.

Bay Miters



Part #	Description	Colors	Nom. Gauge/ Thickness	Pieces/ Box
ABY5I - -	Aluminum 5" Inside	(Listed Below)	0.019	20
ABY5IM2	Aluminum 5" Inside	M2 (Premium Color)	0.019	20
ABY5O - -	Aluminum 5" Outside	(Listed Below)	0.019	20
ABY5OM2	Aluminum 5" Outside	M2 (Premium Color)	0.019	20
ABY6I - -	Aluminum 6" Inside	(Listed Below)	0.019	20
ABY6IM2	Aluminum 6" Inside	M2 (Premium Color)	0.019	20
ABY6O - -	Aluminum 6" Outside	(Listed Below)	0.019	20
ABY6OM2	Aluminum 6" Outside	M2 (Premium Color)	0.019	20
ABY7I - -	Aluminum 7" Outside	BZ, CC, RB, ST, WH, 80	0.027	20
ABY7O - -	Aluminum 7" Outside	BZ, CC, RB, ST, WH, 80	0.027	20
LBY5I	Galvalume 5" Inside	Mill	26 ga	Order by the pc.
LBY5O	Galvalume 5" Outside	Mill	26 ga	Order by the pc.
LBY6I	Galvalume 6" Inside	Mill	26 ga	Order by the pc.
LBY6O	Galvalume 6" Outside	Mill	26 ga	Order by the pc.
CBY5I	Copper 5" Inside	Copper	16 oz	Order by the pc.
CBY5O	Copper 5" Outside	Copper	16 oz	Order by the pc.
CBY6I	Copper 6" Inside	Copper	16 oz	Order by the pc.
CBY6O	Copper 6" Outside	Copper	16 oz	Order by the pc.

Rainware & Accessories Aluminum Colors | • = Color-Thru System™

COLOR	CODE	COLOR	CODE	COLOR	CODE	COLOR	CODE	COLOR	CODE
• NX ALMOND	AD	• CLASSIC CREAM	CC	• FROST	FR	• PATRIOT WHITE	WP	• NX SIERRA	SI
• ALMOND	AL	• CLAY	CL	• HARBOR GREY	HG	• PEBBLESTONE CLAY	PC	• SILVER GREY	SG
• BEAVER BROWN	BB	• NX DUNE	CD	• NX JEFFERSON TAN	JT	• REDWOOD	RW	• TERRA BRONZE	TB
• BLACK	BK	• COPPER PENNY	CP	• NX LINEN	LN	• ROYAL BROWN	RB	• VICTORIAN GREY	VG
• BRONZE	BZ	• COUNTRY BLUE	CU	• LINEN	LI	• *RUSTIC COPPER	M2	• VILLAGE GREEN	VI
• BROOKSTONE	BS	• DESERT SAND	DS	• MONTANA SUEDE	MS	• SAGE	SA	• WICKER	WI
• BUCKSKIN	BU	• EGG SHELL	ES	• MUSKET BROWN	MB	• NX SAND STONE	SS	• 30 WHITE	WH
• CAMEO	CA	• EVEREST	EV	• NORWEGIAN WOOD	NW	• SANDTONE	ST	• 80 WHITE	80
• CHARCOAL GREY	CG	• EVERGREEN	EG						

*Rustic Copper is a PREMIUM color.

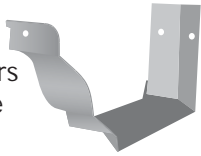


NORANDEX™ Strip Miters & Joints

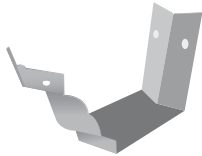
BELOIT PLANT

Strip Miters

Strip Miters
90° Inside

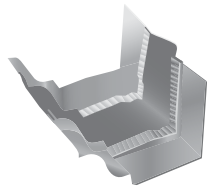


Strip Miters
90° Outside

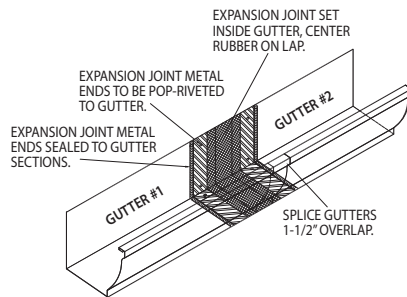


Part #	Description	Colors	Nom. Gauge/ Thickness	Pieces/ Box
ASM5I - -	Aluminum 5" Inside	(Listed Below)	0.027	20
ASM5IM2	Aluminum 5" Inside	M2 (Premium Color)	0.027	20
ASM5O - -	Aluminum 5" Outside	(Listed Below)	0.027	20
ASM5OM2	Aluminum 5" Outside	M2 (Premium Color)	0.027	20
ASM6I - -	Aluminum 6" Inside	(Listed Below)	0.027	20
ASM6IM2	Aluminum 6" Inside	M2 (Premium Color)	0.027	20
ASM6O - -	Aluminum 6" Outside	(Listed Below)	0.027	20
ASM6OM2	Aluminum 6" Outside	M2 (Premium Color)	0.027	20
ASM7I - -	Aluminum 7" Inside	BZ, CC, RB, ST, WH, 80	0.027	20
ASM7O - -	Aluminum 7" Outside	BZ, CC, RB, ST, WH, 80	0.027	20
LSM5I	Galvalume 5" Inside	Mill	26 ga	Order by the pc.
LSM5O	Galvalume 5" Outside	Mill	26 ga	Order by the pc.
LSM6I	Galvalume 6" Inside	Mill	26 ga	Order by the pc.
LSM6O	Galvalume 6" Outside	Mill	26 ga	Order by the pc.
CSM5I	Copper 5" Inside	Copper	16 oz	Order by the pc.
CSM5O	Copper 5" Outside	Copper	16 oz	Order by the pc.
CSM6I	Copper 6" Inside	Copper	16 oz	Order by the pc.
CSM6O	Copper 6" Outside	Copper	16 oz	Order by the pc.

Expansion Joints



Part #	Description	Colors	Nom. Gauge/ Thickness	Pieces/ Box
AEJ5ML	Aluminum 5" Expansion Joint	Mill	0.030	12
AEJ6ML	Aluminum 6" Expansion Joint	Mill	0.030	12

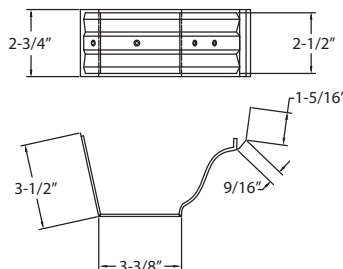


A 40' section of gutter can potentially expand almost 2/3 of an inch from winter to summer moving the fasteners back and forth until the gutter falls down. Expansion joints are a preventive measure for excessive movement in the gutter, and should be mounted in place every 40' of exceptionally long gutter runs.

Slip Joints



Part #	Description	Colors	Nom. Gauge/ Thickness	Pieces/ Box
ASJC5 - -	Aluminum 5" Slip Joint	RB, WH	0.019	Order by the pc.



Rainware & Accessories Aluminum Colors | • = Color-Thru System™

COLOR	CODE	COLOR	CODE	COLOR	CODE	COLOR	CODE	COLOR	CODE
NX ALMOND	AD	• CLASSIC CREAM	CC	FROST	FR	PATRIOT WHITE	WP	NX SIERRA	SI
• ALMOND	AL	• CLAY	CL	• HARBOR GREY	HG	• PEBBLESTONE CLAY	PC	SILVER GREY	SG
• BEAVER BROWN	BB	NX DUNE	CD	NX JEFFERSON TAN	JT	• REDWOOD	RW	• TERRA BRONZE	TB
• BLACK	BK	COPPER PENNY	CP	NX LINEN	LN	• ROYAL BROWN	RB	• VICTORIAN GREY	VG
• BRONZE	BZ	• COUNTRY BLUE	CU	• LINEN	LI	★RUSTIC COPPER	M2	VILLAGE GREEN	VI
BROOKSTONE	BS	• DESERT SAND	DS	MONTANA SUEDE	MS	SAGE	SA	• WICKER	WI
• BUCKSKIN	BU	EGG SHELL	ES	• MUSKET BROWN	MB	NX SAND STONE	SS	• 30 WHITE	WH
• CAMEO	CA	EVEREST	EV	• NORWEGIAN WOOD	NW	• SANDTONE	ST	80 WHITE	80
• CHARCOAL GREY	CG	• EVERGREEN	EG						

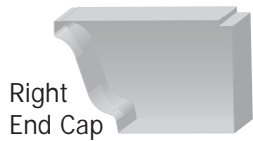
★Rustic Copper is a PREMIUM color.



NORANDEX™ End Caps

BELOIT PLANT

End Caps



Part #	Description	Colors	Nom. Gauge/ Thickness	Piece Length	Pieces/ Box
AEC5L - -	Aluminum 5" Left End Cap	(Listed Below)	0.019	5"	50
AEC5LM2	Aluminum 5" Left End Cap	M2 (Premium Color)	0.019	5"	50
AEC5R - -	Aluminum 5" Right End Cap	(Listed Below)	0.019	5"	50
AEC5RM2	Aluminum 5" Right End Cap	M2 (Premium Color)	0.019	5"	50
AEC6L - -	Aluminum 6" Left End Cap	(Listed Below)	0.019	6"	50
AEC6LM2	Aluminum 6" Left End Cap	M2 (Premium Color)	0.019	6"	50
AEC6R - -	Aluminum 6" Right End Cap	(Listed Below)	0.019	6"	50
AEC6RM2	Aluminum 6" Right End Cap	M2 (Premium Color)	0.019	6"	50
AEC7L - -	Aluminum 7" Left End Cap	BZ, CC, RB, ST, WH, 80	0.027	7"	50
AEC7R - -	Aluminum 7" Right End Cap	BZ, CC, RB, ST, WH, 80	0.027	7"	50
<hr/>					
GEC5L - -	Galv. 5" Left End Cap K	BB, BK, CC, CG, CU, DS, EG, HG, MB, PC, PR, RW, RB, TA, VG, WI, WH	28 ga	5"	50
GEC5LPR	Galv. 5" Left End Cap K	Prime	28 ga	5"	50
GEC5R - -	Galv. 5" Right End Cap K	BB, BK, CC, CG, CU, DS, EG, HG, MB, PC, PR, RW, RB, TA, VG, WI, WH	28 ga	5"	50
GEC5R - -	Galv. 5" Right End Cap K	Prime	28 ga	5"	50
GEC5LML	Galvanized 5" Left End Cap K	Mill	28 ga	5"	50
GEC5RML	Galvanized 5" Left End Cap K	Mill	28 ga	5"	50
GEC6L - -	Galvanized 6" Left End Cap K	(Steel Colors)	28 ga	6"	50
GEC6LPR	Galvanized 6" Left End Cap K	Prime	28 ga	6"	50
GEC6R - -	Galvanized 6" Right End Cap K	(Steel Colors)	28 ga	6"	50
GEC6RPR	Galvanized 6" Right End Cap K	Prime	28 ga	6"	50
<hr/>					
LEC5L	Galvalume 5" Left End Cap	Mill	26 ga	5"	Order by the pc.
LEC5R	Galvalume 5" Right End Cap	Mill	26 ga	5"	Order by the pc.
LEC6L	Galvalume 6" Left End Cap	Mill	26 ga	6"	Order by the pc.
LEC6R	Galvalume 6" Right End Cap	Mill	26 ga	6"	Order by the pc.
<hr/>					
CEC5L	Copper 5" Left End Cap	Copper	10 oz	5"	Order by the pc.
CEC5R	Copper 5" Right End Cap	Copper	10 oz	5"	Order by the pc.
CEC6L	Copper 6" Left End Cap	Copper	10 oz	6"	Order by the pc.
CEC6R	Copper 6" Right End Cap	Copper	10 oz	6"	Order by the pc.

Rainware & Accessories Aluminum Colors | • = Color-Thru System™

COLOR	CODE	COLOR	CODE	COLOR	CODE	COLOR	CODE	COLOR	CODE
NX ALMOND	AD	• CLASSIC CREAM	CC	FROST	FR	PATRIOT WHITE	WP	NX SIERRA	SI
• ALMOND	AL	• CLAY	CL	• HARBOR GREY	HG	• PEBBLESTONE CLAY	PC	SILVER GREY	SG
• BEAVER BROWN	BB	NX DUNE	CD	NX JEFFERSON TAN	JT	• REDWOOD	RW	• TERRA BRONZE	TB
• BLACK	BK	COPPER PENNY	CP	NX LINEN	LN	• ROYAL BROWN	RB	• VICTORIAN GREY	VG
• BRONZE	BZ	• COUNTRY BLUE	CU	• LINEN	LI	• RUSTIC COPPER	M2	VILLAGE GREEN	VI
BROOKSTONE	BS	• DESERT SAND	DS	MONTANA SUEDE	MS	SAGE	SA	• WICKER	WI
• BUCKSKIN	BU	EGG SHELL	ES	• MUSKET BROWN	MB	NX SAND STONE	SS	• 30 WHITE	WH
• CAMEO	CA	EVEREST	EV	• NORWEGIAN WOOD	NW	• SANDTONE	ST	80 WHITE	80
• CHARCOAL GREY	CG	• EVERGREEN	EG						

*Rustic Copper is a PREMIUM color.

Rainware Steel Colors:

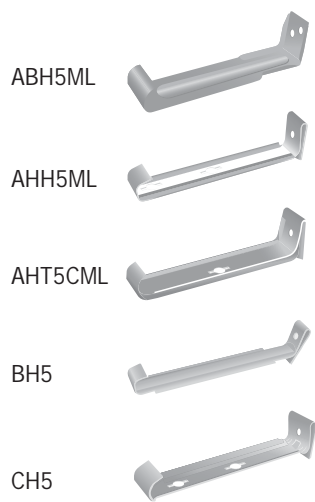
COLOR	CODE	COLOR	CODE	COLOR	CODE	COLOR	CODE	COLOR	CODE
BEAVER BROWN	BB	COUNTRY BLUE	CU	MUSKET BROWN	MB	ROYAL BROWN	RB	WICKER	WI
BLACK	BK	DESERT SAND	DS	PEBBLESTONE CLAY	PC	TAHOE BLUE	TA	30 WHITE	WH
CHARCOAL GREY	CG	EVERGREEN	EG	PRIME	PR	VICTORIAN GREY	VG	80 WHITE	80
CLASSIC CREAM	CC	HARBOR GREY	HG	REDWOOD	RW				



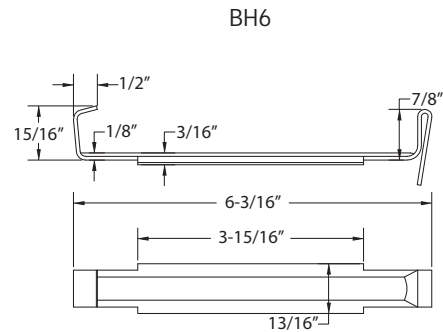
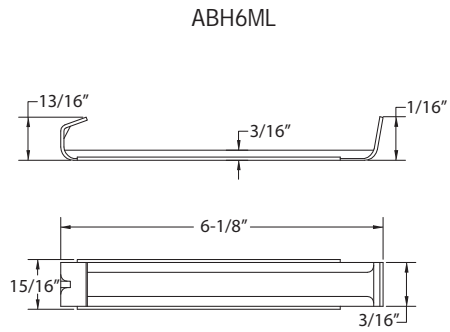
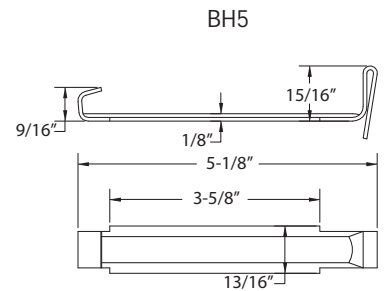
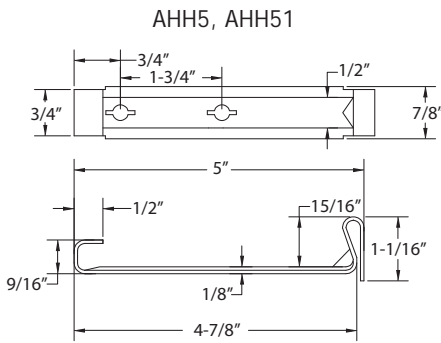
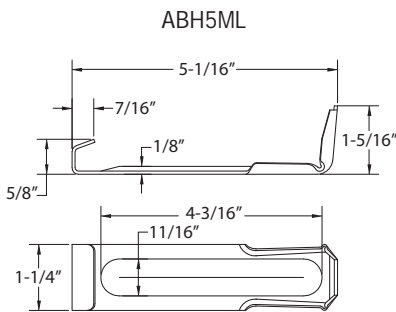
NORANDEX™ Hangers

BELOIT PLANT

Hidden Hangers



Part #	Description	Colors	Nom. Gauge/ Thickness	Piece Length	Pieces/ Box or Bag
ABH5ML	Aluminum 5" Backless Std. Bar Hanger	Mill	0.060	5-1/16"	400
AHH5ML	Aluminum 5" Hook Hanger with Clip	Mill	0.060	4-7/8"	500
AHH51ML	Aluminum 5" Hook Hanger with Clip	Mill	0.060	4-7/8"	100
AHT5ML	Aluminum 5" Hangtite Hanger without Clip	Mill	0.060	5"	1000
AHT51ML	Aluminum 5" Hangtite Hanger without Clip	Mill	0.060	5"	100
AHT5CML	Aluminum 5" Hangtite Hanger with Clip	Mill	0.060	5"	1000
AHH5NHML	Aluminum 5" Hook Hanger without Hole	Mill	0.060	5"	100
AHHK5NHML	Aluminum 5" Hook Hanger without Hole	Mill	0.060	5"	3000
ABH6ML	Aluminum 6" Backless Std. Bar Hanger	Mill	0.060	6-1/8"	750
AHH6ML	Aluminum 6" Hook Hanger with Clip	Mill	0.060	6"	250
AHHK6ML	Aluminum 6" Keg Hanger with Clip	Mill	0.060	6"	2500
AHT6ML	Aluminum 6" Hangtite Hanger without Clip	Mill	0.060	6"	1000
AHT6CML	Aluminum 6" Hangtite Hanger with Clip	Mill	0.060	6"	1000
BH5	Brass 5" Hanger with Clip	Brass	0.115	5-1/8"	250
BH6	Brass 6" Hanger with Clip	Brass	0.115	6-3/16"	150
CH5	Copper 5" Hook Hanger	Copper	16 oz	5"	Order by the pc.
CH6	Copper 6" Hook Hanger	Copper	16 oz	6"	Order by the pc.



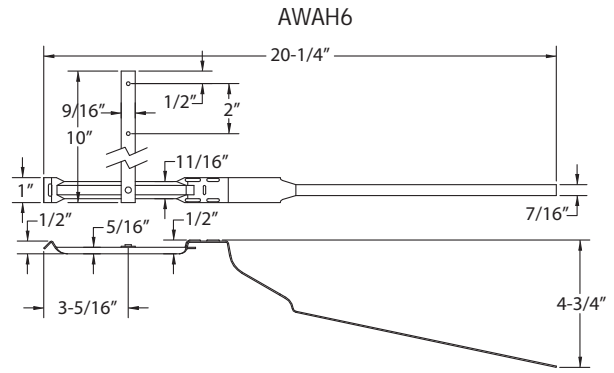
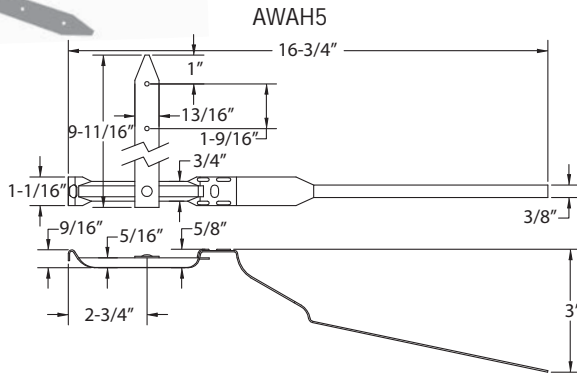


NORANDEX™ Hangers

BELOIT PLANT

Hangers cont.

Part #	Description	Colors	Nom. Gauge/ Thickness	Piece Length	Pieces/ Box
Wrap Around					
AWAH5 - -	Aluminum 5" Wrap Around Hanger	RB, WH, 80	0.060	16-3/4"	100
AWAH6 - -	Aluminum 6" Wrap Around Hanger	RB, WH, 80	0.060	20-1/4"	50

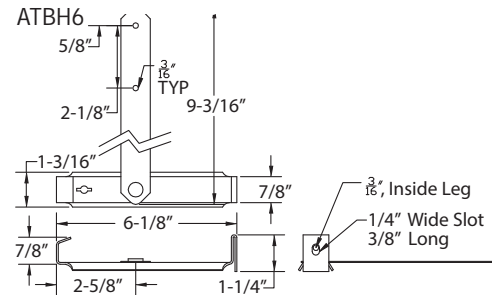
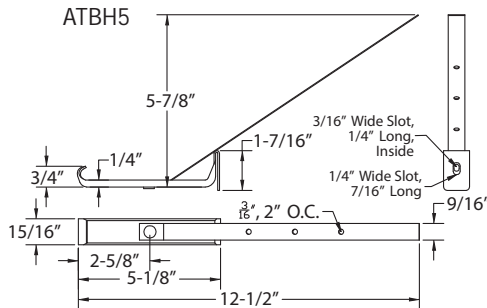


T-Bar



ATBH5 - -	Alum. 5" Painted T-Bar Strap Hanger	RB, WH	0.060	12-1/2"	100
ATBH5ML	Alum. 5" Painted T-Bar Strap Hanger	Mill	0.060	12-1/2"	100
ATBH6 - -	Alum. 6" Painted T-Bar Strap Hanger	RB, WH	0.060	6-1/8"	100
ATBH6ML	Alum. 6" Painted T-Bar Strap Hanger	Mill	0.060	6-1/8"	100
ATS5ML	Alum. 5/8" T-Bar Strap only	Mill	0.032	9-7/8"	100
★ ABHSST6ML	Alum./SS 6" T-Bar Hanger w/Clip	Mill	0.060	6-1/8"	100

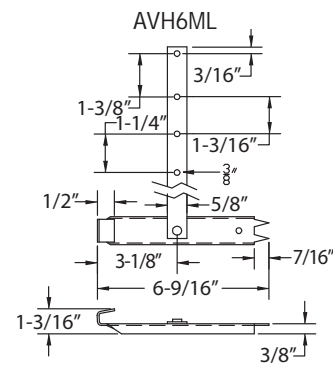
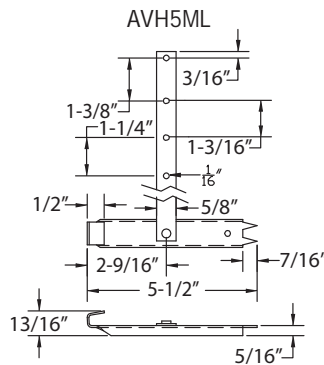
★ "U" Status: Use up until gone.



Vampire



AVH5ML	Aluminum 5" Vampire Hanger	Mill	0.060	5-1/2"	100
AVH6ML	Aluminum 6" Vampire Hanger	Mill	0.060	6-9/16"	100



Note: Proper installation requires the use of a Vampire Hanger tool manufactured by "Malco".

Rainware Aluminum Colors:

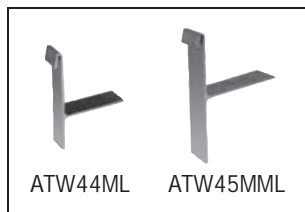
COLOR	CODE	COLOR	CODE	COLOR	CODE
ROYAL BROWN	RB	WHITE	WH	80 WHITE	80



NORANDEX™ Hangers & Rainware Accessories

BELOIT PLANT

T-Wedge



Part #	Description	Colors	Nom. Gauge/ Thickness	Pieces/ Bag
ATW44ML	Aluminum 5" T-Wedge 4400	Mill	0.070	50
ATW45MML	Aluminum 5"-6" T-Wedge 4500	Mill	0.070	50

A T-Wedge can be adjusted to keep the gutter level at various fascia board angles.

Gutter Wedges

GW5, GW6



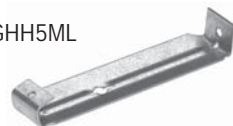
Part #	Description	Colors	Nom. Gauge/ Thickness	Pieces/ Box
GW5 - -	Aluminum 5" Wedge	RB, WH	0.027	100
GW6 - -	Aluminum 6" Wedge	RB, WH	0.027	50
CW5	Copper 5" Wedge	Copper	16 oz	Order by the pc.
CW6	Copper 6" Wedge	Copper	16 oz	Order by the pc.

Hangers with Screws

AHFHS5ML, GHFHS5ML

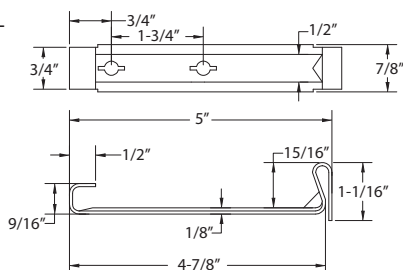


GHH5ML



Part #	Description	Colors	Nom. Gauge/ Thickness	Piece Length	Pieces/ Box
AHFHS5ML	Alum. 5" Quick Screw Hidden Hanger w/Screw	Mill	0.060	5"	500
AHFHS6ML	Alum. 6" Quick Screw Hidden Hanger w/Screw	Mill	0.060	6"	300
AHFSS6ML	Alum. 6" Supreme Hanger w/Screw	Mill	0.060	6"	300
AHFHS7ML	Alum. 7" Quick Screw Hidden Hanger w/Screw	Mill	0.060	7"	100
GHFHS5ML	Galv. 5" Hang Fast w/Screw	Mill	18 ga	5"	300
GHH5ML	Galv. 5" Hook Hanger w/Hole	Mill	18 ga	5"	250
GHH6ML	Galv. 6" Hook Hanger w/Hole	Mill	18 ga	6"	150
BHFHS5	Brass 5" Hang Fast Hanger w/Screw	Brass	0.115	5"	Order by the pc.
BHFHS6	Brass 6" Hang Fast Hanger w/Screw	Brass	0.115	6"	Order by the pc.

GHH5ML



Spikes



Part #	Description	Colors	Piece Length	Pieces/ Box
AS7WH	Aluminum 7" Painted Spike	WH	7"	500
AS7ML	Aluminum 7" Painted Spike	Mill	7"	500
AS8WH	Aluminum 8" Painted Spike	WH	8"	500
AS8ML	Aluminum 8" Painted Spike	Mill	8"	500
GS7ML	Galvanized 7" Ring Shank	Mill	7"	Approx 800 ct./50 lbs.

Rainware Aluminum Colors:

COLOR	CODE	COLOR	CODE
ROYAL BROWN	RB	WHITE	WH



NORANDEX™ Rainware Accessories

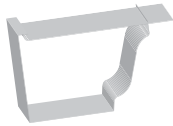
BELOIT PLANT

Ferrules



Part #	Description	Colors	Piece Length	Pieces/Box
AF5ML	Aluminum 5" Ferrule	Mill	5"	500
AF6ML	Aluminum 6" Ferrule	Mill	6"	500

Fascia Brackets



Part #	Description	Colors	Nom. Gauge/Thickness	Pieces/Box
AFBH5 - -	Aluminum 5" Fascia Bracket	WH, 80	0.060	100

Screws



Part #	Description	Colors	Pieces/Bag	Bags/Box	Pieces/Tub
GSC638BH - -	Galv. #6 x 3/8" Hex Painted Screws	(Steel Colors)	100	10	
GSC638TH - -	Galv. #6 x 3/8" Hex Painted Screws	RB, TB, WH			1000
GSC638BHML	Galv. #6 x 3/8" Hex Screws	Mill	100	10	
GSC812BH - -	Galv. #8 x 1/2" Hex Painted Screws	(Steel Colors)	100	10	
GSC812BHM2	Galv. #8 x 1/2" Hex Painted Screws	M2 (Premium Color)	100	10	
GSC812TH - -	Galv. #8 x 1/2" Hex Painted Screws	BZ, CL, MB, PC, RB, TB, WH			1000
GSC812BHML	Galv. #8 x 1/2" Hex Screws	Mill	100	10	
GSC1012HML	Galv. #10 x 1-1/2" Hex Screws	Mill			500
BSC812H	Brass #8 x 1/2" Screws	Brass	100		
BSC1012H	Brass #10 x 1-1/2" Hex Screws	Brass	100		
BSC20	Brass 2" Screws	Brass	Order by the pc.		

Pop Rivets



Part #	Description	Colors	Pieces/Bag	Bags/Box
APR - -	Aluminum 1/8 x 3/8" Pop Rivets	(Listed Below)	100	10
APRM2	Aluminum 1/8 x 3/8" Pop Rivets	M2 (Premium Color)	100	10
GPR - -	Galvanized 1/8 x 3/8" Pop Rivets	(Steel Colors)	100	10
CPR	Copper 1/8 x 3/8" Pop Rivets	Copper	100	10

Rainware & Accessories Aluminum Colors | • = Color-Thru System™

COLOR	CODE	COLOR	CODE	COLOR	CODE	COLOR	CODE	COLOR	CODE
• ALMOND	AL	• CHARCOAL GREY	CG	EVEREST	EV	• NORWEGIAN WOOD	NW	SILVER GREY	SG
• BEAVER BROWN	BB	• CLASSIC CREAM	CC	• EVERGREEN	EG	• PEBBLESTONE CLAY	PC	• TERRA BRONZE	TB
• BLACK	BK	• CLAY	CL	FROST	FR	• REDWOOD	RW	• VICTORIAN GREY	VG
• BRONZE	BZ	• COPPER PENNY	CP	• HARBOR GREY	HG	• ROYAL BROWN	RB	VILLAGE GREEN	VI
BROOKSTONE	BS	• COUNTRY BLUE	CU	• LINEN	LI	★RUSTIC COPPER	M2	• WICKER	WI
• BUCKSKIN	BU	• DESERT SAND	DS	MONTANA SUEDE	MS	SAGE	SA	• 30 WHITE	WH
• CAMEO	CA	EGG SHELL	ES	• MUSKET BROWN	MB	• SANDTONE	ST	80 WHITE	80

*Rustic Copper is a PREMIUM color.

Rainware Steel Colors:

COLOR	CODE	COLOR	CODE	COLOR	CODE	COLOR	CODE	COLOR	CODE
BEAVER BROWN	BB	CLASSIC CREAM	CC	EVERGREEN	EG	PEBBLESTONE CLAY	PC	TAHOE BLUE	TA
BLACK	BK	COUNTRY BLUE	CU	HARBOR GREY	HG	PRIME	PR	VICTORIAN GREY	VG
BRONZE	BZ	DESERT SAND	DS	HARVEST BROWN	HV	REDWOOD	RW	WICKER	WI
CHARCOAL GREY	CG	EGGSHELL	ES	MUSKET BROWN	MB	ROYAL BROWN	RB	30 WHITE	WH



NORANDEX™ Rainware Accessories

BELOIT PLANT

Drive Pins



Part #	Description	Colors	Piece Length	Pieces/Box
GDP34	Galvanized 3/4" Masonry Fastener	Mill	3/4"	100
GDP10	Galvanized 1" Masonry Fastener	Mill	1"	100
GDP125	Galvanized 1-1/4" Masonry Fastener	Mill	1-1/4"	100
GDP150	Galvanized 1-1/2" Masonry Fastener	Mill	1-1/2"	100

Gutter Sealer



Part #	Description	Colors	Pieces/Box
GS121105ML	12-1 10.5 oz Winter Grade	Mill	24
GS123105ML	12-3 10.5 oz Summer Grade	Mill	24
GSPSCGML	PSCG 10.5 oz All Purpose	Mill	24
★GSPSCGHVML	PSCGHV 10.5 oz High Viscosity	Mill	24
AWGSCE	10.3 oz Tube All-Weather	Clear	24
AWGSWH	10.3 oz Tube All-Weather	White	24
AWGSML	10.3 oz Tube All-Weather	Grey	24

★ "U" Status: Use up until gone.

Paint



Part #	Description	Colors	Pieces/Box
TU - -	12 oz Touch Up Paint	*(Listed Below)	12

*Offered in additional color Patriot White (WP). Not available in Rustic Copper (M2).

Rainware & Accessories Aluminum Colors | • = Color-Thru System™

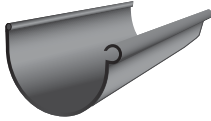
COLOR	CODE	COLOR	CODE	COLOR	CODE	COLOR	CODE	COLOR	CODE
• ALMOND	AL	• CHARCOAL GREY	CG	EVEREST	EV	• NORWEGIAN WOOD	NW	SILVER GREY	SG
• BEAVER BROWN	BB	• CLASSIC CREAM	CC	• EVERGREEN	EG	• PEBBLESTONE CLAY	PC	• TERRA BRONZE	TB
• BLACK	BK	• CLAY	CL	FROST	FR	• REDWOOD	RW	• VICTORIAN GREY	VG
• BRONZE	BZ	COPPER PENNY	CP	• HARBOR GREY	HG	• ROYAL BROWN	RB	VILLAGE GREEN	VI
BROOKSTONE	BS	• COUNTRY BLUE	CU	• LINEN	LI	★RUSTIC COPPER	M2	• WICKER	WI
• BUCKSKIN	BU	• DESERT SAND	DS	MONTANA SUEDE	MS	SAGE	SA	• 30 WHITE	WH
• CAMEO	CA	EGG SHELL	ES	• MUSKET BROWN	MB	• SANDTONE	ST	80 WHITE	80

★Rustic Copper is a PREMIUM color.



NORANDEX™ Round & Half Round Products BELOIT PLANT

Half Round Gutters



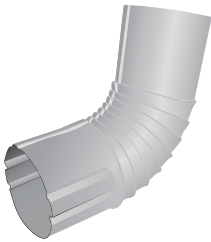
Part #	Description	Colors	Nom. Gauge/ Thickness	Piece Length	Pieces/ Box	Boxes/ Pallet
AGUH610 - -	Alum. 6" Reverse Bead 10' Sections	BZ, MB, WH	0.027	10'	5	16
AGUH610M2	Alum. 6" Reverse Bead 10' Sections	M2 (Premium Color)	0.027	10'	5	16
LGUH610	Glum. 6" Reverse Bead 10' Sections	Mill	26 ga	10'	5	16
CGUH610	Copper 6" Reverse Bead 10' Sections	Copper	10 oz	10'	Order by the pc.	

Round Downspouts



Part #	Description	Colors	Nom. Gauge/ Thickness	Piece Length	Pieces/ Box	Boxes/ Pallet
ADSR310 - -	Alum. 3" Round x 10', Smooth	(Listed Below)	0.019	10'	5	30
ADSR310M2	Alum. 3" Round x 10', Smooth	M2 (Premium Color)	0.019	10'	5	30
ADSR410 - -	Alum. 4" Round x 10', Smooth	(Listed Below)	0.019	10'	5	20
ADSR410M2	Alum. 4" Round x 10', Smooth	M2 (Premium Color)	0.019	10'	5	20
GDSR310 - -	Galv. 3" Round x 10'	BB, BK, BZ, CC, CG, CU, DS, EG, ES, HG, HV, MB, PC, RB, RW, TA, VG, WH, WI	26 ga	10'	Order by the pc.	
GDSR410 - -	Galv. 4" Round x 10'	BZ, MB, RB, TA, WH, WI	26 ga	10'	Order by the pc.	
GDSR410ML	Galv. 4" Round x 10'	Mill	26 ga	10'	Order by the pc.	
LDSR310	Glum. 3" Round x 10', Plain	Mill	26 ga	10'	5/Order by the pc.	
LDSR410	Glum. 4" Round x 10', Plain	Mill	26 ga	10'	5/Order by the pc.	
CDSR310	Copper 3" Round x 10', Smooth	Copper	10 oz	10'	Order by the pc.	
CDSR410	Copper 4" Round x 10', Smooth	Copper	10 oz	10'	Order by the pc.	

Round Elbows



Part #	Description	Colors	Nom. Gauge/ Thickness	Pieces/ Box	Boxes/ Pallet
AER3 - -	Alum. 3" Round 75°	AL, BK, BZ, CL, CP, FR, MB, PC, RB, TB, WH, 80	0.019	30	16
AER3 - -	Alum. 3" Round 75°	M2 (Premium Color)	0.019	30	16
AER4 - -	Alum. 4" Round 75°	AL, BK, BZ, CL, CP, FR, HG, MB, PC, RB, TB, WH, 80	0.019	30	16
AER4 - -	Alum. 4" Round 75°	M2 (Premium Color)	0.019	30	16
GER345 - -	Galv. 3" Round 45°	BB, BK, BZ, CC, CG, CU, DS, EG, HG, HV, MB, PC, RB, RW, TA, VG, WH, WI	26 ga	Order by the pc.	
GER375 - -	Galv. 3" Round 75°	BB, BK, BZ, CC, CG, CU, DS, EG, HG, HV, MB, PC, RB, RW, TA, VG, WH, WI	26 ga	Order by the pc.	
GER430ML	Galv. 4" Round 30°	Mill	26 ga	20	
GER445ML	Galv. 4" Round 45°	Mill	26 ga	20	
GER475 - -	Galv. 4" Round 75°	BZ, EG, MB, PC, TA, WH	26 ga	20	
GER475ML	Galv. 4" Round 75°	Mill	26 ga	20	
LER3	Glum. 3" Round 75°	Mill	26 ga	10/Order by the pc.	
LER445	Glum. 4" Round 45°	Mill	26 ga	10/Order by the pc.	
LER4	Glum. 4" Round 75°	Mill	26 ga	10/Order by the pc.	
CER330	Copper 3" Round 30°		10 oz	Order by the pc.	
CER3	Copper 3" Round 75°		10 oz	Order by the pc.	
CER430	Copper 4" Round 30°		10 oz	Order by the pc.	
CER4	Copper 4" Round 75°		10 oz	Order by the pc.	

Note: Aluminum variable degree round elbows also available in these angles.

30° - AER330 - - and AER430 - - | 45° - AER345 - - and AER44 - -

Rainware & Accessories Aluminum Colors | • = Color-Thru System™

COLOR	CODE	COLOR	CODE	COLOR	CODE	COLOR	CODE	COLOR	CODE
• ALMOND	AL	• CHARCOAL GREY	CG	• EVEREST	EV	• NORWEGIAN WOOD	NW	SILVER GREY	SG
• BEAVER BROWN	BB	• CLASSIC CREAM	CC	• EVERGREEN	EG	• PEBBLESTONE CLAY	PC	• TERRA BRONZE	TB
• BLACK	BK	• CLAY	CL	• FROST	FR	• REDWOOD	RW	• VICTORIAN GREY	VG
• BRONZE	BZ	• COPPER PENNY	CP	• HARBOR GREY	HG	• ROYAL BROWN	RB	• VILLAGE GREEN	VI
• BROOKSTONE	BS	• COUNTRY BLUE	CU	• LINEN	LI	★ RUSTIC COPPER	M2	• WICKER	WI
• BUCKSKIN	BU	• DESERT SAND	DS	• MONTANA SUEDE	MS	• SAGE	SA	• 30 WHITE	WH
• CAMEO	CA	• EGG SHELL	ES	• MUSKET BROWN	MB	• SANDTONE	ST	• 80 WHITE	80

★ Rustic Copper is a PREMIUM color.

Rainware Steel Colors:

COLOR	CODE	COLOR	CODE	COLOR	CODE	COLOR	CODE	COLOR	CODE
BEAVER BROWN	BB	CLASSIC CREAM	CC	EVERGREEN	EG	PEBBLESTONE CLAY	PC	VICTORIAN GREY	VG
BLACK	BK	COUNTRY BLUE	CU	HARBOR GREY	HG	REDWOOD	RW	WICKER	WI
BRONZE	BZ	DESERT SAND	DS	HARVEST BROWN	HV	ROYAL BROWN	RB	30 WHITE	WH
CHARCOAL GREY	CG	EGGSHELL	ES	MUSKET BROWN	MB	TAHOE BLUE	TA		



NORANDEX™ Half Round Products

BELOIT PLANT

Half Round Miters

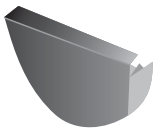
Part #	Description	Colors	Nom. Gauge/ Thickness	Pieces/ Box
ASMH6I - -	Aluminum 6" 90°, Strip, Inside	BZ, MB, WH	0.027	10
ASMH6IM2	Aluminum 6" 90°, Strip, Inside	M2 (Premium Color)	0.027	10
ASMH6O - -	Aluminum 6" 90°, Strip, Outside	BZ, MB, WH	0.027	10
ASMH6OM2	Aluminum 6" 90°, Strip, Outside	M2 (Premium Color)	0.027	10
ABYH6I - -	Aluminum 6" 45°, Bay, Inside	BZ, MB, WH	0.027	10
ABYH6IM2	Aluminum 6" 45°, Bay, Inside	M2 (Premium Color)	0.027	10
ABYH6O - -	Aluminum 6" 45°, Bay, Outside	BZ, MB, WH	0.027	10
ABYH6OM2	Aluminum 6" 45°, Bay, Outside	M2 (Premium Color)	0.027	10
LSMH6I	Galvalume 6" 90°, Strip, Inside	Mill	26 ga	Order by the pc.
LSMH6O	Galvalume 6" 90°, Strip, Outside	Mill	26 ga	Order by the pc.

Half Round Slip Joints



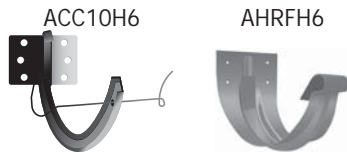
Part #	Description	Colors	Nom. Gauge/ Thickness	Pieces/ Box
ASJCH6WH	Aluminum 6" HR Slip Joint	WH	0.019	Order by the pc.
LSJCH6	Galvalume 6" HR Slip Joint	Mill	26 ga	Order by the pc.

Half Round End Caps



Part #	Description	Colors	Nom. Gauge/ Thickness	Pieces/ Box
AECH6 - -	Aluminum 6" HR Universal End Cap	BZ, MB, WH	0.019	20
AECH6M2	Aluminum 6" HR Universal End Cap	M2 (Premium Color)	0.019	20
LECH6	Galvalume 6" HR Universal End Cap	Mill	26 ga	Order by the pc.

Half Round Brackets



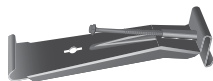
Part #	Description	Colors	Pieces/ Box
ACC10H6 - -	Aluminum 6" HR Combo Cir/Shk w/Clip Hanger	BZ, MB, 80	Order by the pc.
ACC10H6ML	Aluminum 6" HR Combo Cir/Shk w/Clip Hanger	Mill	Order by the pc.
AHRFH6 - -	Aluminum 6" HR Fascia Hanger	BZ, MB, WH	Order by the pc.

Half Round Outlets



Part #	Description	Colors	Pieces/ Box
AOROH63ML	Aluminum 3" Round x 6" HR Outlet	Mill	50
AOROH64ML	Aluminum 4" Round x 6" HR Outlet	Mill	50
GOROH64	Galvanized 4" Round x 6" HR Outlet	Mill	Order by the pc.

Half Round Hidden Hangers



Part #	Description	Colors	Pieces/ Box
AHHR6ML	Aluminum 6" HR Hook Hanger	Mill	50
AHSHR6ML	Aluminum 6" HR Hidden Clip Hanger w/Screw	Mill	100

Note: Only for reverse bead half round gutters

Half Round T-Wedge Hangers



Part #	Description	Colors	Nom. Gauge/ Thickness	Pieces/ Bag
ATWHR49ML	Aluminum HR T-Wedge 4900	Mill	0.070	50

A T-Wedge can be adjusted to keep the gutter level at various fascia board angles.

Rainware Aluminum Colors:

COLOR	CODE	COLOR	CODE	COLOR	CODE	COLOR	CODE
BRONZE	BZ	MUSKET BROWN	MB	★ RUSTIC COPPER	M2	WHITE	WH

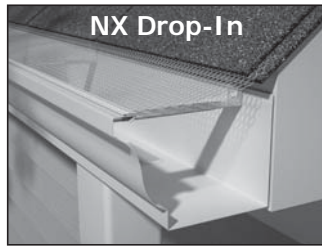
★ Rustic Copper is a PREMIUM color.



NORANDEX™ Gutter Protection

BELOIT PLANT

Screen Systems



NX Drop-In

The front attachment provides a firm hold to the front of the gutter and has a wide mounting flange for a permanent install. The mill finish aluminum screen is micro crimped for enhanced durability.

Part #	Description	Colors	Nom. Gauge/ Thickness	Piece Length	Pieces/ Box	Feet/ Box
ALGP5DIML	Aluminum 5" Drop-In	Mill	0.025	4'	50	200'
ALGP6DIML	Aluminum 6" Drop-In	Mill	0.025	4'	50	200'

Powder Coated Screens

Our special powder coating is designed to uniformly cover all surfaces and contains UV Inhibitors for extra durability. Our coating is distinguished by the smooth feel of the finish.

Conventional powder finishes don't coat the entire mesh which leads to corrosion and product failure. You can easily identify these products because they feel rough due to the inconsistency of the coating on the surface of the screen.



NX Lock

The small hole screen system installs quickly without disturbing the shingles with its front and back snap lock system.

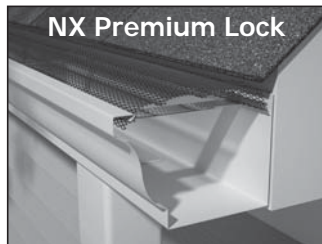
Part #	Description	Colors	Nom. Gauge/ Thickness	Piece Length	Pieces/ Box	Feet/ Box
GGP5LSHBK	Galvanized 5" Lock Small Hole	BK	28 ga	4'	25	100'
GGP6LSHBK	Galvanized 6" Lock Small Hole	BK	28 ga	4'	25	100'
GGP7LSHBK	Galvanized 7" Lock Small Hole	BK	28 ga	4'	25	100'



NX Step Down

The small hole screen incorporates a raised snap-in system in the back of the gutter to seal off the void between the shingles and the screen. Step Down installs quickly without the use of screws or disturbing the shingles.

Part #	Description	Colors	Nom. Gauge/ Thickness	Piece Length	Pieces/ Box	Feet/ Box
GGP5SDBK	Galvanized 5" Step Down	BK	28 ga	4'	25	100'
GGP6SDBK	Galvanized 6" Step Down	BK	28 ga	4'	25	100'



NX Premium Lock

The tiny holes keeps out small debris, while allowing water to flow through the screen. Two stiffening beads run down the center of the screen for added strength. Installation is quick and easy without disturbing the shingles. The screen locks into place with a raised back and front-tiered mounting system.

Part #	Description	Colors	Nom. Gauge/ Thickness	Piece Length	Pieces/ Box	Feet/ Box
ALGP5PLBK	Aluminum 5" Premium Lock (screen tiny holes)	BK	0.032	4'	25	100'
ALGP6PLBK	Aluminum 6" Premium Lock (screen tiny holes)	BK	0.032	4'	25	100'

NOTE: All products and colors may not be available in specific supply centers. Contact your Territory Manager for local availability.

Gutter Protection Colors:

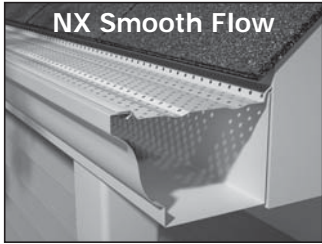
COLOR	CODE	COLOR	CODE	COLOR	CODE	COLOR	CODE	COLOR	CODE
BLACK	BK	ROYAL BROWN	RB	TERRA BRONZE	TB	WHITE		MILL	ML



NORANDEX™ Gutter Protection

BELOIT PLANT

Perforated & Dome	Part #	Description	Colors	Nom. Gauge/ Thickness	Piece Length	Pieces/ Box	Feet/ Box
-------------------	--------	-------------	--------	--------------------------	-----------------	----------------	--------------



NX Smooth Flow

The perforated cover installs easily without disturbing the shingles. Product is factory notched for easy overlapping. Dual center ribbed bends provide extra rigidity against expansion and contraction. Six 50-count bags of #6 hex head 3/8 stainless steel painted screws are included.

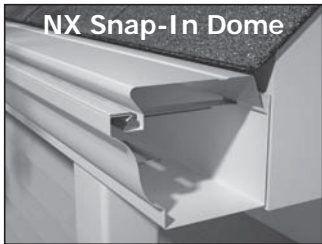
ALGP5SF - -	5" Smooth Flow	BK, WH	0.019	6'	40	240'
ALGP5SFML	5" Smooth Flow	MILL	0.019	6'	40	240'
ALGP510SF -	5" Smooth Flow	B, W	0.019	10'	25	250'
ALGP510SFM	5" Smooth Flow	MILL	0.019	10'	25	250'
ALGP6SF - -	6" Smooth Flow	BK, WH	0.019	6'	40	240'
ALGP6SFML	6" Smooth Flow	MILL	0.019	6'	40	240'
ALGP610SF -	6" Smooth Flow	B, W	0.019	10'	25	250'
ALGP610SFM	6" Smooth Flow	MILL	0.019	10'	25	250'



NX Master Flow

The snap in perforated panels are installed without disturbing the shingles and without the use of screws. The patented curved back portion keeps the contoured front mounting system in place, provides a gentle transition of rainwater on to the panel, blocks debris from depositing in the back of the gutter, and is not obstructed by screw hangers.

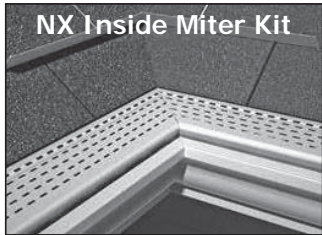
ALGP5MFBK	Aluminum 5" Master Flow	BK	0.019	4'	25	100'
ALGP6MFBK	Aluminum 6" Master Flow	BK	0.019	4'	25	100'



NX Snap-In Dome Cover

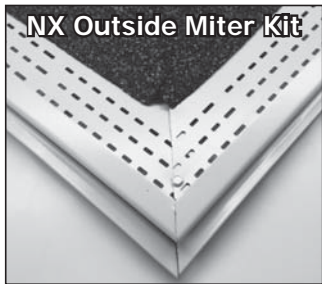
This unique solid dome cover is designed for maximum debris load and is one of the easiest dome cover systems to install. The dome cover snaps in without the use of brackets or screws and doesn't disturb the shingles. Snap-In Dome is available in several colors to enhance the curb appeal of your home by blending in with the roof line.

ALGP5SD - -	Aluminum 5" Snap-In Dome	BK, RB, TB, WH	0.028	4'	14	56'
ALGP6SD - -	Aluminum 6" Snap-In Dome	BK, RB, TB, WH	0.028	4'	14	56'



NX Inside Miter Kit

A5SDIMK - -	Alum. 5" 1 Rt Panel, 1 Lft Panel & 4' Rain Diverter	BK, RB, TB, WH	0.027	4'	1 pair/box	
A6SDIMK - -	Alum. 6" 1 Rt Panel, 1 Lft Panel & 4' Rain Diverter	BK, RB, TB, WH	0.027	4'	1 pair/box	



NX Outside Miter Kit

A5SDOMK - -	Aluminum 5" 1 Right Panel & 1 Left Panel	BK, RB, TB, WH	0.027	4'	1 pair/box	
A6SDOMK - -	Aluminum 6" 1 Right Panel & 1 Left Panel	BK, RB, TB, WH	0.027	4'	1 pair/box	



NX Universal End Caps

A5SDUEC - -	Aluminum 5" Universal End Caps	BK, RB, TB, WH	0.019		10/Bag	
A6SDUEC - -	Aluminum 6" Universal End Caps	BK, RB, TB, WH	0.019		10/Bag	

NOTE: All products and colors may not be available in specific supply centers. Contact your Territory Manager for local availability.

Gutter Protection Colors:

COLOR	CODE	COLOR	CODE	COLOR	CODE	COLOR	CODE
BLACK	BK	ROYAL BROWN	RB	TERRA BRONZE	TB	WHITE	MILL

Gutter Protection

BELOIT PLANT

Gutter Protection		Part #	Description	Colors	Nom. Gauge/ Thickness	Piece Length	Pieces/ Box
<i>Gutter Protection</i>							
ALGLFH5	- -	Aluminum 5 5/8" Perforated High-Flow Gutter Cover with Screws 4'	AL, BK, CC, CL, DB, EG, IV, MB, PL, RB, S1, TB, TX, WH	0.024	4'	5	
ALGLFS5	- -	Aluminum 5 5/8" Standard Solid Gutter Cover with Screws 4'	AL, BK, CC, CL, DB, EG, IV, MB, PL, RB, S1, TB, TX, WH	0.024	4'	25	
ALGRX5	- -	Aluminum 5" Drop-In Cover 6'	DB, WH	0.019	6'	50	
ALGRX6	- -	Aluminum 6" Drop-In Cover 6'	DB, WH	0.019	6'	50	
ALGP5LPML		Aluminum 5" LeafBlaster® Pro	Mill	0.011	4'	25	
ALGP6LPML		Aluminum 6" LeafBlaster® Pro	Mill	0.011	4'	25	



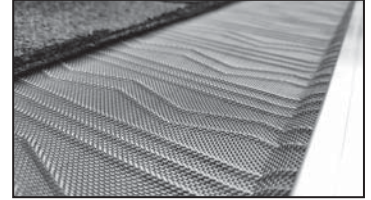
ALGLFH5 High Flow



ALGLFS5 Solid



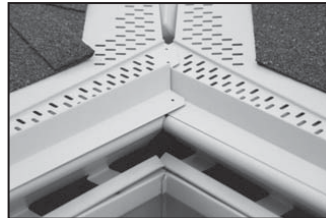
ALGRX5 Drop-In



ALGP6LPML

Gutter Protection Accessories

ALGLFM5	- -	Miters (set - 1 Left & 1 Right)	AL, BK, CC, CL, DB, EG, MB, PL, RB, S1, TB, TX, WH	0.024		10
ALGLFE5R	- -	End Caps (Right)	AL, BK, CC, CL, DB, EG, MB, PL, RB, S1, TB, TX, WH	0.024	5"	25
ALGLFE5L	- -	End Caps (Left)	AL, BK, CC, CL, DB, EG, MB, PL, RB, S1, TB, TX, WH	0.024	5"	25



ALGLFM5 Miters



ALGLFE5 R/L End Caps

Gutter Protection Colors:

COLOR	CODE	COLOR	CODE	COLOR	CODE	COLOR	CODE	COLOR	CODE
ALMOND	AL	CLAY	CL	IVORY	IV	ROYAL BROWN	RB	TUXEDO GRAY	TX
BLACK	BK	DARK BRONZE	DB	MUSKET BROWN	MB	SAND	S1	30 WHITE	WH
CLASSIC CREAM	CC	EVERGREEN	EG	PEARL GRAY	PL	TERRA BRONZE	TB		



Norandex™ Beloit Trim Coil Colors Conversion Chart

ATCS24 - - (Smooth) & ATCW24 - - (Woodgrain)

CERTAINEED	DESCRIPTION	OLD	NEW
Buckskin	same	CBU	D23
Cypress	same	CCY	G3
Desert Tan	Beige	CDT	D13
Flagstone	same	CFS	A12
Granite Gray	same	CGG	A13
Hearthstone	same	CHS	B10
Heritage Cream	Yellow	CHC	Y1
Herringbone	same	CHN	D37
Light Maple	Maple	CLM	D12
Musket Brown	same	CMB	B2
Natural Clay	Clay	CNC	D1
Oxford Blue	same	COB	L1
Pacific Blue	same	CPB	L5
Sable Brown	same	CSB	B4
Sand Piper	same	CSP	D35
Sandstone Beige	same	CSS	D18
Savannah Wicker	Beige	CSW	D2
Silver Ash	same	CSA	D19
Spruce	same	CSR	G5
Sterling Grey	same	CSG	A14
Suede	same	CSU	D17

EXTERIOR PORTFOLIO (Crane)	DESCRIPTION	OLD	NEW
Aspen White	White	NAW	W1
Bone	Beige	NBO	D11
Clay	same	NCL	D1
Country Beige	Beige	NCB	D2
Cypress	same	NCY	G1
Desert Sand (19" only)	Beige	19NDS	ATCS19D9
Driftwood	Gray	NDW	A4
Greystone	Gray	NGS	A2
Ivory	Beige	NIV	D10
Lighthouse Red	Red	NLR	R1
Mocha	Beige	NMO	D7
Nutmeg (19" only)	Red	19NNU	ATCS19R2
Olive	Green	NOL	G2
Pearl	Pearl / White	NPL	W2
Regatta Blue	same	NRT	L2
Rye	Beige	NRV	D3
Saddle	Beige	NSD	D6
Slate	same	NSL	A23
Wheat	Yellow	NWT	Y1
Wicker	same	NWI	D8

MASTIC	DESCRIPTION	OLD	NEW
Almond	Beige	XAL	D14
Autumn Gold (19" only)	Beige	19XAG	ATCS19D9
Autumn Harvest	same	XAH	B11
Beaver Brown (19" only)	same	19BB	ATCS19B5
Black	same	XBK	A17
Brookstone	same	XBS	D21
Buckskin	same	19BU	D27
Cameo	Pearl / White	XCA	W2
Charcoal Grey	same	XCG	A8
Classic Cream	same	XCC	D22
Cornsilk	same	XCS	D24
Country Blue	same	XCU	L3
Deep Granite	same	XDG	A9
Desert Sand	Beige	XDS	D34
English Wedgewood	same	XEW	A11
Everest	same	XEV	A15
Evergreen	same	XEG	G6
Harbor Grey	Gray	XHG	A2
Lakeshore Fern	Green	XLF	G2
Linen	same	XLI	D4
Misty Shadow	same	XMY	A10
Montana Suede	same	XMS	D44
Musket Brown	same	XMB	B1
Musket Brown (.024" thick)	same	XMB	ATCS224B1
Pebblestone Clay	P. Clay	XPC	D5
Portsmouth Blue	same	XPB	L6
Quiet Willow	same	XQW	G12
Redwood	same	XRW	R3
Royal Brown	same	XRB	B6
Rugged Canyon	same	XRC	B9
Russet Red	same	XRR	R4
Sage	same	XSA	D25
Sandtone	Beige	XST	D6
Scottish Thistle	same	XSH	G9
Silver Grey	Gray	XSG	A3
Terra Bronze	same	AXTB	B12
Terra Cotta (19" only)	Red	19XTC	ATCS19R2
Victorian Grey	same	XVG	A5
Victorian Grey (14" wide)	same	XVG	ATCS14A5
Village Green	same	XVI	G11
Vineyard Grove	same	XVY	G7
Vintage Brick	Red	XVB	R1
White	same	XWH	W1
White (14" wide)	same	XWH	ATCS14W1
White (.024" thick)	same	XWH	ATCS224W1
White (24" X 150')	same	XWH	ATCS415W1
Wicker	same	XWI	D8

All Norandex™ products
are painted with Valspar's
Diamond Flex™ paint system.

valspar
if it matters, we're on it.®

***Unless otherwise stated, all Smooth & Wood Grain
trim coil is white (W1) on the opposite side.***



Norandex™ Beloit Trim Coil Colors Conversion Chart

ATCS24 -- (Smooth) & ATCW24 -- (Woodgrain)

JAMES HARDIE	DESCRIPTION	OLD	NEW
Arctic White / Woodstock Brown	same	HAB	C2
Khaki Brown / Sailcloth	same	HKS	C1
Monterey Taupe / Sandstone Beige	same	HMB	C11
Navajo Beige / Timber Bark	same	HNT	C5
Cobblestone / Autumn Tan	same	HCA	C6
Iron Gray / Countrylane Red	same	C7	C7
Chestnut Brown / Evening Blue	same	C8	C8
Heathered Moss / Boothbay Blue	same	C9	C9
Mountain Sage / Light Mist	same	C10	C10
Aged Pewter / Deep Ocean			C12
Night Gray / Pearl Gray			C13
Rich Espresso / Gray Slate			C14

ROYAL	DESCRIPTION	OLD	NEW
Beige	same	RBE	D10
Brownstone	same	RBS	D36
Clay	Beige	RCL	D3
Country Almond	same	RAL	D28
Cypress	same	RCY	G1
Driftwood	same	RDW	D29
Flagstone	Gray	RFS	A1
Harvard Slate	Gray	RHS	A2
Heather	same	RHE	G8
Musket Brown	same	RMB	B1
Natural Cedar	same	RNC	B7
Pebble Clay	P. Clay	RPC	D5
Sand	Beige	RS1	D7
Soft Maple	Maple	RSM	D12
Sterling	Gray	RSE	A3
Vintage Cream	same	RVC	D30
Wicker	same	RWI	D8

VARIFORM	DESCRIPTION	OLD	NEW
Autumn Beige	same	VAB	D31
Classic Cream	same	VCC	D32
Delray Sand	same	VDE	Y2
Flint	same	VFL	A7
Georgian Grey	Gray	VGG	A4
Irish Thistle	Gray	VIT	A1
Island Pearl	Pearl / White	VIP	W2
Natural Almond	Beige	VNA	D13
Sandy Tan	same	VST	D33
Silver Mist	Beige	VSM	D11
Stone Mountain Clay	Clay	VSC	D1

TEXTURED	DESCRIPTION	OLD	NEW
Cappuccino	same	ATCT24D41	ATCT24D41
Clay	n/a	n/a	ATCT24D39
Coffee	same	ATCT24B15	ATCT24B15
Espresso	same	ATCT24D40	ATCT24D40
Silver Metallic	same	ATCT24M1	ATCT24M1
Textured White	same	ATCT24WH	ATCT24W4
Tan	n/a	n/a	ATCT24D38

MISCELLANEOUS	DESCRIPTION	OLD	NEW
Black / Royal Brown (7")	same	ATC7BKRB	ATCS7B14
Black / Royal Brown (14" only)	same	ATC14BKRB	ATCS14B14
Black / Royal Brown (24")	same	BKRB	ATCS24B14
Black / Royal Brown (.024" thick)	same	ATCS224BKR	ATCS224B14

NORANDEX™	ACM Color	Smooth ATCS24 --	Woodgrain ATCW24 --
Almond	N/A	D49	D49
Beige	N/A	D52	D52
Bronze	B13	B13	B13
Cactus	N/A	G16	G16
Champagne	N/A	D53	D53
Clay	D43	D43	D43
Dune	N/A	D54	D54
Cobblestone Clay	N/A	D56	D56
Cream	N/A	Y3	Y3
Evergreen	N/A	G15	G15
Fern	N/A	A24	A24
Firebrick	N/A	R6	R6
Granite	N/A	A19	A19
Graphite	N/A	A25	A25
Hazel Brown	N/A	B19	B19
Ivy Green	N/A	G13	G13
Khaki	N/A	D59	D59
Linen	N/A	W10	W10
Maverick Brown	N/A	B20	B20
Mocha	N/A	D58	D58
Musket Brown	B1	B1	B1
Norwegian Wood	D26	D26	D26
Olive	N/A	G14	G14
Royal Brown	B6	B6	B6
Russet	N/A	B18	B18
Saddle Brown	N/A	D57	D57
Sand	N/A	D51	D51
Sand Stone	N/A	D46	D46
Seaport	N/A	A22	A22
Sierra	N/A	D47	D47
Silver	N/A	A3	A3
Smoke	N/A	A21	A21
Steel Blue	N/A	L8	L8
Tan	N/A	D48	D48
Tumbleweed Tan	N/A	D55	D55
Wedgewood Blue	N/A	L7	L7
Wheat	N/A	D50	D50
White 280	W1	W1	W1
Yellow	N/A	Y4	Y4



Norandex™ Beloit PVC Trim Coil Colors

Conversion Chart

ATCP24 - - (PVC)

MASTIC	DESCRIPTION	OLD	NEW
Almond	Beige	XAL	D14
Brookstone	same	XBS	D21
Cameo	Pearl / White	XCA	W2
Classic Cream	same	XCC	D22
Desert Sand	Beige	XDS	D34
Evergreen	same	XEG	G6
Harbor Grey	Gray	XHG	A2
Linen	same	XLI	D4
Montana Suede	same	XMS	D44
Musket Brown	same	XMB	B1
Pebblestone Clay	P. Clay	XPC	D5
Royal Brown	same	XRB	B6
Sage	same	XSA	D25
Sandtone	Beige	XST	D6
Scottish Thistle	same	XSH	G9
Silver Grey	Gray	XSG	A3
Terra Bronze	same	AXTB	B12
Victorian Grey	same	XVG	A5
Vintage Brick	same	XVB	R1
White	same	XWH	W1
Wicker	same	XWI	D8

CERTAINEED	DESCRIPTION	OLD	NEW
Cypress	same	CCY	G3
Desert Tan	Beige	CDT	D13
Granite Gray	same	CGG	A13
Heritage Cream	Yellow	CHC	Y1
Herringbone	same	CHN	D37
Light Maple	Maple	CLM	D12
Musket Brown	same	CMB	B2
Natural Clay	Clay	CNC	D1
Oxford Blue	same	COB	L1
Pacific Blue	same	CPB	L5
Sable Brown	same	CSB	B4
Sandstone Beige	same	CSS	D18
Savannah Wicker	Beige	CSW	D2
Sterling Grey	same	CSG	A14

VARIFORM	DESCRIPTION	OLD	NEW
Classic Cream	same	VCC	D32
Georgian Grey	Gray	VGG	A4
Irish Thistle	Gray	VIT	A1
Island Pearl	Pearl/White	VIP	W2
Natural Almond	Beige	VNA	D13
Sandy Tan	same	VST	D33
Savannah Blue	same	L4	L4
Silver Mist	Beige	VSM	D11
Stone Mountain Clay	Clay	VSC	D1

EXTERIOR PORTFOLIO (Crane)	DESCRIPTION	OLD	NEW
Aspen White	White	NAW	W1
Bone	Beige	NBO	D11
Clay	same	NCL	D1
Country Beige	Beige	NCB	D2
Cypress	same	NCY	G1
Driftwood	Gray	NDW	A4
Greystone	Gray	NGS	A2
Ivory	Beige	NIV	D10
Lighthouse Red	Red	NLR	R1
Mocha	Beige	NMO	D7
Pearl	Pearl / White	NPL	W2
Regatta Blue	same	NRT	L2
Rye	Beige	NRV	D3
Saddle	Beige	NSD	D6
Wheat	Yellow	NWT	Y1
Wicker	same	NWI	D8

ROYAL	DESCRIPTION	OLD	NEW
Beige	same	RBE	D10
Brownstone	same	RBS	D36
Clay	Beige	RCL	D3
Country Almond	same	RAL	D28
Cypress	same	RCY	G1
Driftwood	same	RDW	D29
Estate Gray	same	REY	A6
Flagstone	Gray	RFS	A1
Harvard Slate	Gray	RHS	A2
Heather	same	RHE	G8
Linen	same	RLI	D4
Musket Brown	same	RMB	B1
Natural Cedar	same	RNC	B7
Pebble Clay	P. Clay	RPC	D5
Sand	Beige	RS1	D7
Soft Maple	Maple	RSM	D12
Sterling	Gray	RSE	A3
Vintage Cream	same	RVC	D30
Wicker	same	RWI	D8

JAMES HARDIE	DESCRIPTION	OLD	NEW
Sandstone Beige	same	HSB	D15

All Norandex™ products are painted with Valspar's Diamond Flex™ paint system.

valspar
if it matters, we're on it.®



Norandex™ Beloit PVC Trim Coil Colors

Conversion Chart

ATCP24 -- (PVC)

NORANDEX™	ACM Color	PVC ATCP24 --
Almond	N/A	D49
Beige	N/A	D52
Bronze	N/A	B13
Cactus	N/A	G16
Champagne	N/A	D53
Dune	N/A	D54
Cobblestone Clay	N/A	D56
Cream	N/A	Y3
Evergreen	N/A	G15
Fern	N/A	A24
Firebrick	N/A	R6
Granite	N/A	A19
Hazel Brown	N/A	B19
Ivy Green	N/A	G13
Khaki	N/A	D59
Linen	N/A	W10
Mocha	N/A	D58
Musket Brown	B1	B1
Olive	N/A	G14
Royal Brown	B6	B6
Russet	N/A	B18
Saddle Brown	N/A	D57
Sand	N/A	D51
Sand Stone	N/A	D46
Seaport	N/A	A22
Sierra	N/A	D47
Silver	N/A	A20
Smoke	N/A	A21
Steel Blue	N/A	L8
Tan	N/A	D48
Tumbleweed Tan	N/A	D55
Wedgewood Blue	N/A	L7
Wheat	N/A	D50
White 280	W1	W1



NORANDEX™ Trim Coil

BELOIT PLANT

Trim Coil	Description	Piece Length	Pieces/ Box	Boxes/ Pallet	Pieces/ Pallet	Rolls/ Truck
	.019 Aluminum Trim Coil	50'	1	48	48	1248

Unless otherwise stated, all Smooth and Wood Grain trim coil is white (W1) on the opposite side.

NORANDEX™ Smooth

ATCS24 - - Aluminum 24" Smooth

NORANDEX™ No. Pine Embossed*

ATCW24 - - Aluminum 24" Embossed

*Ships from Beloit, WI location

NORANDEX™ PVC**

ATCP24 - - Aluminum 24" PVC

Norandex™ Trim Coil Colors

COLOR	CODE	COLOR	CODE	COLOR	CODE	COLOR	CODE	COLOR	CODE
NX ALMOND	D49	NX CREAM	Y3	NX KHAKI	D59	NX RUSSETT	B18	NX STEEL BLUE	L8
NX BEIGE	D52	NX EVERGREEN	G15	NX LINEN	W10	NX SADDLE BROWN	D57	NX TAN	D48
BRONZE	B13	NX FERN	A24	NX MAVERICK BROWN**	B20	NX SAND	D51	NX TUMBLEWEED TAN	D55
NX CACTUS	G16	NX FIREBRICK	R6	NX MOCHA	D58	NX SAND STONE	D46	NX WEDGEWOOD BLUE	L7
NX CHAMPAGNE	D53	NX GRANITE	A19	NX MUSKET BROWN	B1	NX SEAPORT	A22	NX WHEAT	D50
CLAY	D43	NX GRAPHITE**	A25	NORWEGIAN WOOD	D26	NX SIERRA	D47	WHITE	W1
NX DUNE	D54	NX HAZEL BROWN	B19	NX OLIVE	G14	NX SILVER	A3	NX YELLOW**	Y4
NX COBBLESTONE CLAY	D56	NX IVY GREEN	G13	NX ROYAL BROWN	B6	NX SMOKE	A21		

**Not available in PVC

MASTIC Smooth

ATCS24 - - Aluminum 24" Smooth

ATCS415 - - Aluminum 24" Smooth (150')

MASTIC No. Pine Embossed

ATCW24 - - Aluminum 24" Embossed

MASTIC PVC*

ATCP24 - - Aluminum 24" PVC

Mastic Trim Coil Comparable Colors / • = Color-Thru System™ (smooth only)

COLOR	CODE	COLOR	CODE	COLOR	CODE	COLOR	CODE	COLOR	CODE
• ALMOND	D14	• CLASSIC CREAM	D22	LAKESHORE FERN*	G2	• REDWOOD*	R3	• TERRA BRONZE	B12
AUTUMN GOLD (19")* D9		CORN SILK*	D24	• LINEN	D4	• ROYAL BROWN	B6	TERRA COTTA (19")*	R2
AUTUMN HARVEST*	B11	• COUNTRY BLUE*	L3	MISTY SHADOW*	A10	RUGGED CANYON*	B9	★VICTORIAN GREY	A5
• BEAVER BROWN (19")* B5		DEEP GRANITE*	A9	MONTANA SUEDE	D44	RUSSET RED*	R4	★VILLAGE GREEN*	G11
• BLACK*	A17	• DESERT SAND	D34	• MUSKET BROWN	B1	★SAGE	D25	VINEYARD GROVE*	G7
BROOKSTONE	D21	ENGLISH WEDGEWOOD*	A11	• PEBBLESTONE CLAY	D5	• SANDTONE	D6	VINTAGE BRICK	R1
• BUCKSKIN	D27	EVEREST*	A15	PORTSMOUTH BLUE*	L6	SCOTTISH THISTLE	G9	• WHITE	W1
• CAMEO	W2	• EVERGREEN	G6	QUIET WILLOW*	G12	SILVER GREY	A3	• WICKER	D8
• CHARCOAL GREY*	A8	• HARBOR GREY	A2						

*PVC not available in these colors: D9, B11, B5, A17, D27, A8, D24, L3, A9, A11, A15, G2, A10, L6, G12, R3, B9, R4, R2, G11, G7

★ PVC "U" Status: Use up until gone.

CERTAINTED Smooth

ATCS24 - - Aluminum 24" Smooth

CERTAINTED No. Pine Embossed

ATCW24 - - Aluminum 24" Embossed

CERTAINTED PVC*

ATCP24 - - Aluminum 24" PVC

Certainted Trim Coil Comparable Colors:

COLOR	CODE	COLOR	CODE	COLOR	CODE	COLOR	CODE	COLOR	CODE
BUCKSKIN*	D23	★HEARTHSTONE*	B10	NATURAL CLAY	D1	SAND PIPER*	D35	★SPRUCE	G5
CYPRESS	G3	HERITAGE CREAM	Y1	OXFORD BLUE	L1	SANDSTONE BEIGE	D18	STERLING GREY	A14
DESERT TAN	D13	HERRINGBONE	D37	PACIFIC BLUE	L5	SAVANNAH WICKER	D2	★SUEDE*	D17
FLAGSTONE*	A12	LIGHT MAPLE	D12	SABLE BROWN	B4	SILVER ASH*	D19	★WOODLAND MIST	D20
GRANITE GRAY	A13	MUSKET BROWN	B2						

*PVC not available in these colors: D23, A12, B10, D35, D19, D17

★ PVC "U" Status: Use up until gone. D20 unavailable in Smooth or Embossed Wood Grain.

EXTERIOR PORTFOLIO Smooth

ATCS24 - - Aluminum 24" Smooth

EXTERIOR PORTFOLIO No. Pine Emb

ATCW24 - - Aluminum 24" Embossed

EXTERIOR PORTFOLIO PVC**

ATCP24 - - Aluminum 24" PVC

Exterior Portfolio (formerly Crane) Trim Coil Comparable Colors:

COLOR	CODE	COLOR	CODE	COLOR	CODE	COLOR	CODE	COLOR	CODE
ASPEN WHITE	W1	CYPRESS	G1	IVORY	D10	OLIVE*	G2	SADDLE	D6
BONE	D11	DESERT SAND (19")*	D9	LIGHTHOUSE RED	R1	PEARL	W2	SLATE*	A23
CLAY	D1	DRIFTWOOD	A4	MOCHA	D7	REGATTA BLUE	L2	WHEAT	Y1
COUNTRY BEIGE	D2	GREYSTONE	A2	NUTMEG (19")*	R2	RYE	D3	WICKER	D8
★CABIN*	B8								

*PVC not available in these colors: B8, D9, R2, G2, A23

★ Smooth & PVC "U" Status: Use up until gone.



NORANDEX™ Trim Coil

BELOIT PLANT

Trim Coil	Description	Piece Length	Pieces/ Box	Boxes/ Pallet	Pieces/ Pallet	Rolls/ Truck
	.019 Aluminum Trim Coil	50'	1	48	48	1248

Unless otherwise stated, all Smooth and Wood Grain trim coil is white (W1) on the opposite side.

HARDIE Smooth

ATCS24 - - Aluminum 24" Smooth

HARDIE No. Pine Embossed

ATCW24 - - Aluminum 24" Embossed

Hardie Trim Coil Comparable Colors:

COLOR	CODE	COLOR	CODE	COLOR	CODE
ARCTIC WHITE/WOODSTOCK BROWN	C2	KHAKI BROWN/SAIL CLOTH	C1	NIGHT GRAY/PEARL GRAY	C13
CHESTNUT BROWN/EVENING BLUE	C8	MONTEREY TAUPE/SANDSTONE BEIGE	C11	RICH ESPRESSO/GRAY SLATE	C14
COBBLESTONE/AUTUMN TAN	C6	MOUNTAIN SAGE/LIGHT MIST	C10	SAND STONE BEIGE (PVC only)	D15
HEATHERED MOSS/BOOTHBAY BLUE	C9	NAVAJO BEIGE/TIMBER BARK	C5		
IRON GREY/COUNTRYLANE RED	C7	AGED PEWTER/DEEP OCEAN	C12		

ROYAL Smooth

ATCS24 - - Aluminum 24" Smooth

ROYAL No. Pine Embossed

ATCW24 - - Aluminum 24" Embossed

ROYAL PVC**★

ATCP24 - - Aluminum 24" PVC

Royal Trim Coil Comparable Colors:

COLOR	CODE	COLOR	CODE	COLOR	CODE	COLOR	CODE	COLOR	CODE
BEIGE	D10	CYPRESS	G1	HARVARD SLATE	A2	NATURAL CEDAR	B7	STERLING	A3
BROWNSTONE	D36	★DRIFTWOOD	D29	HEATHER	G8	PEBBLE CLAY	D5	VINTAGE CREAM	D30
CLAY	D3	★ESTATE GREY	A6	LINEN*	D4	SAND	D7	WICKER	D8
COUNTRY ALMOND	D28	FLAGSTONE	A1	MUSKET BROWN	B1	SOFT MAPLE	D12		

*Only available in PVC

★ Smooth or PVC "U" Status: Use up until gone.

VARIFORM Smooth*

ATCS24 - - Aluminum 24" Smooth

VARIFORM No. Pine Embossed*

ATCW24 - - Aluminum 24" Embossed

VARIFORM PVC**★

ATCP24 - - Aluminum 24" PVC

Variform Trim Coil Comparable Colors:

COLOR	CODE	COLOR	CODE	COLOR	CODE	COLOR	CODE	COLOR	CODE
AUTUMN BEIGE**	D31	FLINT**	A7	ISLAND PEARL	W2	SANDY TAN	D33	SILVER MIST	D11
CLASSIC CREAM	D32	GEORGIAN GRAY	A4	NATURAL ALMOND	D13	★SAVANNAH BLUE*	L4	STONE MOUNTAIN CLAY	D1
DELRAY SAND**	Y2	IRISH THISTLE	A1						

*Smooth and Northern Pine Embossed not available in this color: L4

**PVC not available in these colors: D31, Y2, A7

★ PVC "U" Status: Use up until gone.

TEXTURED, MAR-RESISTANT WINDOW TRIM COIL

ATCT24 - - Aluminum 24" Textured

Window Trim Coil Colors:

COLOR	CODE	COLOR	CODE	COLOR	CODE	COLOR	CODE	COLOR	CODE
CAPPUCCINO	D41	COFFEE	B15	SILVER METALLIC	M1	TAN	D38	WHITE	W4
CLAY	D39	ESPRESSO	D40						

Specialty Coils


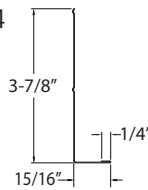
Part #	Description	Colors	Code	Nom. Gauge/ Thickness	Piece Length	Rolls/ Truck
ATCS7B14	Aluminum 7" Smooth	Black/Royal Brown	B14	0.019	50'	1248
ATCS14B14	Aluminum 14" Smooth	Black/Royal Brown	B14	0.019	50'	1248
ATCS24B14	Aluminum 24" Smooth	Black/Royal Brown	B14	0.019	50'	1248
ATCS224B14	Aluminum 24" Smooth	Black/Royal Brown	B14	0.024	50'	832
ATCS14A5	Aluminum 14" Smooth	Mastic Vic. Grey	A5	0.019	50'	1248
ATCS14D5W	Aluminum 14" Smooth	Pebblestone Clay/White	D5W	0.024	50'	832
ATCS14W1	Aluminum 14" Smooth	Mastic White	W1	0.019	50'	1248
ATCS224W1	Aluminum 24" Smooth	Mastic White	W1	0.024	50'	832


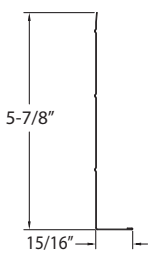
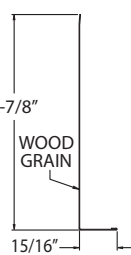
Not all are available in PVC.


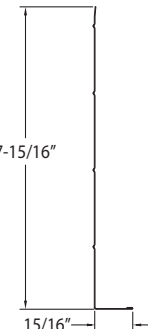
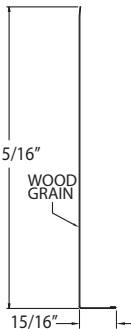


NORANDEX™ Fascia

BELOIT PLANT

4" Fascia	Part #	Description	Colors	Nom. Gauge/ Thickness	Piece Length	Pieces/ Box	Boxes/ Pallet	Pieces/ Pallet
	AFCR4 - -	Aluminum 4" Ribbed Fascia	BZ, DS, EG, LI, MB, PC, RB, ST, TB, WH, WI	0.024	12'	25	24	600
	AFCR4							

6" Fascia	Part #	Description	Colors	Nom. Gauge/ Thickness	Piece Length	Pieces/ Box	Boxes/ Pallet	Pieces/ Pallet
	AFCS6 - -	Aluminum 6" Smooth Fascia	(Listed Below)	0.024	12'	25	24	600
	AFCR6 - -	Aluminum 6" Ribbed Fascia	(Listed Below)	0.024	12'	25	24	600
	AFCE6 - -	Aluminum 6" No. Pine Wood Grain	(Listed Below)	0.024	12'	25	24	600
	GFCE6 - -	Galvanized 6" No. Pine Wood Grain	TB, WH	26 ga	12'	10	24	240
	★GFCW6TB	Galvanized 6" Wood Grain Fascia	TB	26 ga	12'	10	24	240
	Note: Aluminum coil will not match steel fascia due to a different coating process. ★ "U" Status: Use up until gone.							
	AFCR6		AFCE6, GFCE6					

8" Fascia	Part #	Description	Colors	Nom. Gauge/ Thickness	Piece Length	Pieces/ Box	Boxes/ Pallet	Pieces/ Pallet
	AFCS8 - -	Aluminum 8" Smooth Fascia	(Listed Below)	0.024	12'	25	20	500
	AFCR8 - -	Aluminum 8" Ribbed Fascia	(Listed Below)	0.024	12'	25	20	500
	AFCE8 - -	Aluminum 8" No. Pine Wood Grain	(Listed Below)	0.024	12'	25	20	500
	★AFCW8 - -	Aluminum 8" Wood Grain Fascia	*(Listed Below)	0.024	12'	25	20	500
		★ "U" Status: Use up until gone. *AFCW8 Wood Grain Fascia not available in BB, CU, DS, HG, ST, TB, HAW, HAT, HCS, HKB, HMT, HNB, HSC, HSB, HTB, HWB.						
	GFCE8 - -	Galvanized 8" No. Pine Wood Grain	RB, WH	26 ga	12'	10	20	200
	Note: Aluminum coil will not match steel fascia due to a different coating process.							
	AFCR8		AFCE8, GFCE8					

Fascia Colors | • = Color-Thru System™, ◆ = Hardie Colors

COLOR	CODE	COLOR	CODE	COLOR	CODE	COLOR	CODE	COLOR	CODE
• ALMOND	AL	• CHARCOAL GREY	CG	◆ KHAKI BROWN	HKB	• PORTSMOUTH BLUE	XPB	• TERRA BRONZE	TB
NX ALMOND	D49	• CLASSIC CREAM	CC	• LAKESHORE FERN	XLF	• REDWOOD	RW	◆ TIMBER BARK	HTB
◆ ARCTIC WHITE	HAW	• CLAY	CL	• LINEN	LI	• ROYAL BROWN	RB	• VICTORIAN GREY	VG
◆ AUTUMN TAN	HAT	◆ COBBLESTONE	HCS	NX LINEN	W10	SAGE	SA	VINTAGE BRICK	XVB
• BEAVER BROWN	BB	• COUNTRY BLUE	CU	MONTANA SUEDE	XMS	◆ SAIL CLOTH	HSC	• WHITE	WH
• BLACK	BK	• DESERT SAND	DS	◆ MONTEREY TAUPE	HMT	NX SAND STONE	D46	• WICKER	WI
• BRONZE	BZ	EVEREST	EV	• MUSKET BROWN	MB	◆ SANDSTONE BEIGE	HSB	◆ WOODSTOCK BROWN	HWB
BROOKSTONE	BS	• EVERGREEN	EG	◆ NAVAJO BEIGE	HNB	• SANDTONE	ST		
• BUCKSKIN	BU	• HARBOR GREY	HG	• NORWEGIAN WOOD	NW	NX SIERRA	D47		
• CAMEO	CA	HAZEL WOOD	XHW	• PEBBLESTONE CLAY	PC	SILVER GREY	SG		

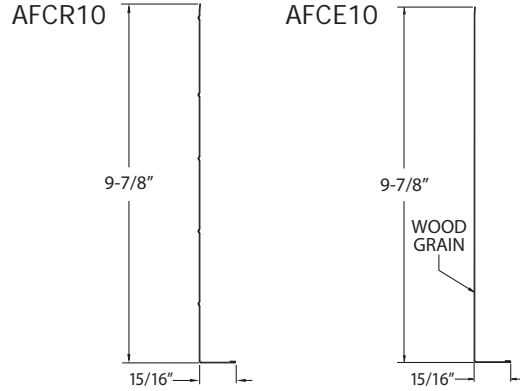


NORANDEX™ Fascia

BELOIT PLANT

10" Fascia

Part #	Description	Colors	Nom. Gauge/ Thickness	Piece Length	Pieces/ Box	Boxes/ Pallet	Pieces/ Pallet
AFCS10WH	Aluminum 10" Smooth Fascia	WH	0.024	12'	25	8	200
AFCR10 - -	Aluminum 10" Ribbed Fascia	AL, BZ, CA, CL, DS, EG, LI, MB, PC, RB, RW, TB, WH, WI	0.024	12'	25	8	200
AFCE10WH	Alum. 10" No. Pine Wood Grain	WH	0.024	12'	25	8	200



Fascia Colors | • = Color-Thru System™, ◆ = Hardie Colors

COLOR	CODE	COLOR	CODE	COLOR	CODE	COLOR	CODE	COLOR	CODE
• ALMOND	AL	• CHARCOAL GREY	CG	◆ KHAKI BROWN	HKB	PORTSMOUTH BLUE	XPB	• TERRA BRONZE	TB
NX ALMOND	D49	• CLASSIC CREAM	CC	• LAKESHORE FERN	XLF	• REDWOOD	RW	◆ TIMBER BARK	HTB
◆ ARCTIC WHITE	HAW	• CLAY	CL	• LINEN	LI	• ROYAL BROWN	RB	• VICTORIAN GREY	VG
◆ AUTUMN TAN	HAT	◆ COBBLESTONE	HCS	NX LINEN	W10	SAGE	SA	VINTAGE BRICK	XVB
• BEAVER BROWN	BB	• COUNTRY BLUE	CU	MONTANA SUEDE	XMS	◆ SAIL CLOTH	HSC	• WHITE	WH
• BLACK	BK	• DESERT SAND	DS	◆ MONTEREY TAUPE	HMT	NX SAND STONE	D46	• WICKER	WI
• BRONZE	BZ	EVEREST	EV	• MUSKET BROWN	MB	◆ SANDSTONE BEIGE	HSB	◆ WOODSTOCK BROWN	HWB
BROOKSTONE	BS	• EVERGREEN	EG	◆ NAVAJO BEIGE	HNB	• SANDTONE	ST		
• BUCKSKIN	BU	• HARBOR GREY	HG	• NORWEGIAN WOOD	NW	NX SIERRA	D47		
• CAMEO	CA	HAZEL WOOD	XHW	• PEBBLESTONE CLAY	PC	SILVER GREY	SG		

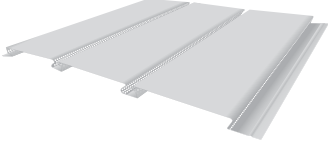
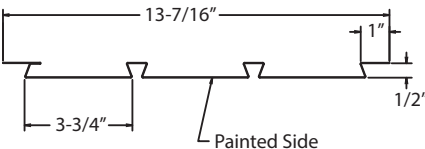


12" Hidden Vent Soffit

Part #	Description	Colors	Nom. Gauge/ Thickness	Piece Length	Pieces/ Box	Boxes/ Pallet	Pieces/ Pallet
AST12HV - -	Alum. 12" Hidden Vent	AL, BZ, CA, DS, HG, MB, PC, RB, ST, TB, VG, WH, WI	0.019	12'	16	24	384

NOTE: Requires 1/2" J- or F-Channel for installation.

Hidden Vent Soffit NFA 10.3 sq. in. / sq. ft.

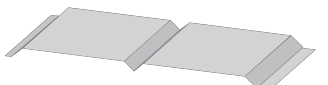



12" Double 6 - D6 Soffit

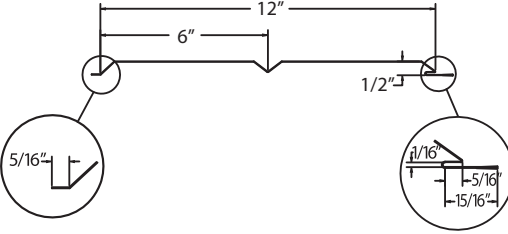
Part #	Description	Colors	Nom. Gauge/ Thickness	Piece Length	Pieces/ Box	Boxes/ Pallet	Pieces/ Pallet
ASTD6S - -	Aluminum Solid	MB, PC, RB, D46, D47, TB, WH, WI	0.019	12'	16	24	384
ASTD6V - -	Aluminum Full Vent	MB, PC, RB, D46, D47, TB, WH, WI	0.019	12'	16	24	384

NOTE: Requires 1/2" J- or F-Channel for installation.

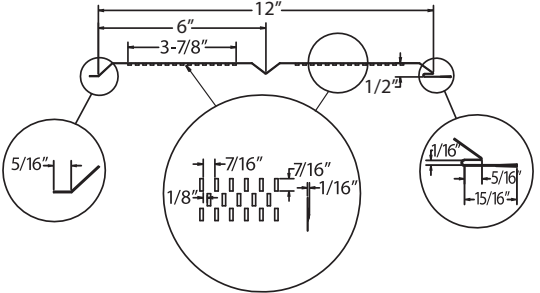
D6 Soffit NFA 10.37 sq. in. / sq. ft.



ASTD6S



ASTD6V

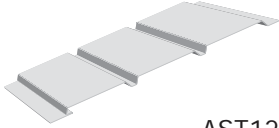


12" Soffit

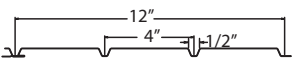
Part #	Description	Colors	Nom. Gauge/ Thickness	Piece Length	Pieces/ Box	Boxes/ Pallet	Pieces/ Pallet
AST12S - -	Aluminum Solid	(Listed Below)	0.019	12'	20	15	300
AST12CV - -	Aluminum Center Vent	(Listed Below)	0.019	12'	20	15	300
AST12FV - -	Aluminum Full Vent	(Listed Below)	0.019	12'	20	15	300

NOTE: Requires 3/8" accessory channels.

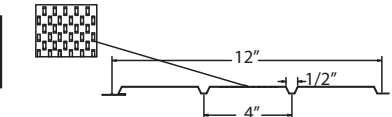
Full Vent NFA 17.93 sq. in. / sq. ft. Center Vent NFA 6.19 sq. in. / sq. ft.



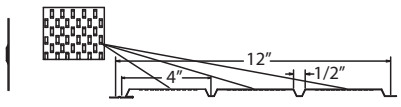
AST12S



AST12CV



AST12FV

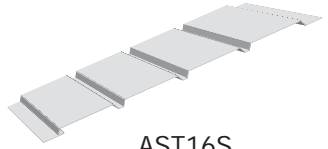


16" Soffit

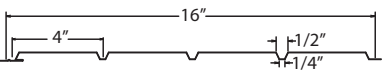
Part #	Description	Colors	Nom. Gauge/ Thickness	Piece Length	Pieces/ Box	Boxes/ Pallet	Pieces/ Pallet
AST16S - -	Aluminum Solid	*(Listed Below)	0.019	12'	10	20	200
AST16CV - -	Aluminum Center Vent	*(Listed Below)	0.019	12'	10	20	200
AST16FV - -	Aluminum Full Vent	*(Listed Below)	0.019	12'	10	20	200

NOTE: Requires 3/8" accessory channels. **Full Vent NFA 17.98 sq. in. / sq. ft. Center Vent NFA 8.99 sq. in. / sq. ft.**

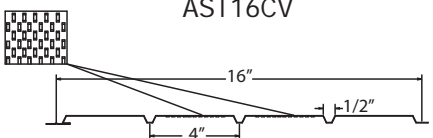
*16" Soffit not available in XHW.



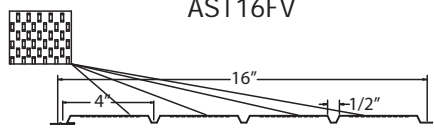
AST16S



AST16CV



AST16FV



Soffit Colors | • = Color-Thru System™, ♦ = Hardie Colors

COLOR	CODE	COLOR	CODE	COLOR	CODE	COLOR	CODE	COLOR	CODE
• ALMOND	AL	• CHARCOAL GREY	CG	♦ KHAKI BROWN	HKB	• PORTSMOUTH BLUE	XPB	• TERRA BRONZE	TB
• NX ALMOND	D49	• CLASSIC CREAM	CC	♦ LAKESHORE FERN	XLF	• REDWOOD	RW	♦ TIMBER BARK	HTB
♦ ARCTIC WHITE	HAW	• CLAY	CL	• LINEN	LI	• ROYAL BROWN	RB	• VICTORIAN GREY	VG
♦ AUTUMN TAN	HAT	♦ COBBLESTONE	HCS	• NX LINEN	W10	SAGE	SA	VINTAGE BRICK	XVB
• BEAVER BROWN	BB	• COUNTRY BLUE	CU	• MONTANA SUEDE	XMS	♦ SAIL CLOTH	HSC	• WHITE	WH
• BLACK	BK	• DESERT SAND	DS	♦ MONTEREY TAUPE	HMT	• NX SAND STONE	D46	• WICKER	WI
• BRONZE	BZ	• EVEREST	EV	• MUSKET BROWN	MB	♦ SANDSTONE BEIGE	HSB	♦ WOODSTOCK BROWN	HWB
• BROOKSTONE	BS	• EVERGREEN	EG	♦ NAVAJO BEIGE	HNB	• SANDTONE	ST		
• BUCKSKIN	BU	• HARBOR GREY	HG	• NORWEGIAN WOOD	NW	• NX SIERRA	NX SIERRA		
• CAMEO	CA	• HAZEL WOOD	XHW	• PEBBLESTONE CLAY	PC	SILVER GREY	SG		



NORANDEX™ Siding Accessories

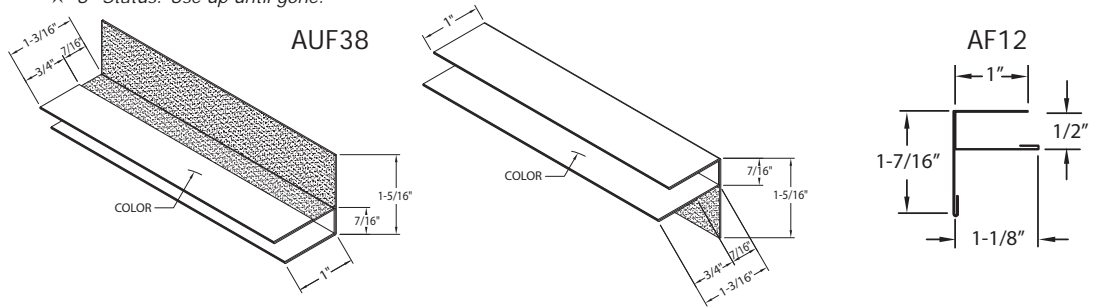
BELOIT PLANT

F-Channel



Part #	Description	Colors	Nom. Gauge/ Thickness	Piece Length	Pieces/ Box	Boxes/ Pallet	Pieces/ Pallet
AUF38 - -	Alum. 3/8" Universal F-Channel	(Listed Below)	0.019	12'	25	24	600
★ARF38 - -	Alum. 3/8" Reverse Frieze	AL, BZ, CA, DS, EV, HG, LI MB, PC, RB, TB, VG, WH, WI	0.019	12'	25	24	600
AF12 - -	Alum. 1/2" F-Channel	AL, BZ, CA, DS, HG, MB, D46, D47, PC, RB, ST, TB, VG, WH, WI	0.019	12'	25	24	600
AF58 - -	Alum. 5/8" F-Channel	PC, WH	0.019	12'	25	24	600

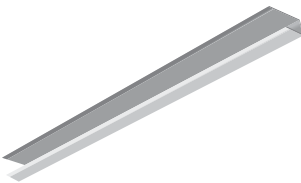
★ "U" Status: Use up until gone.



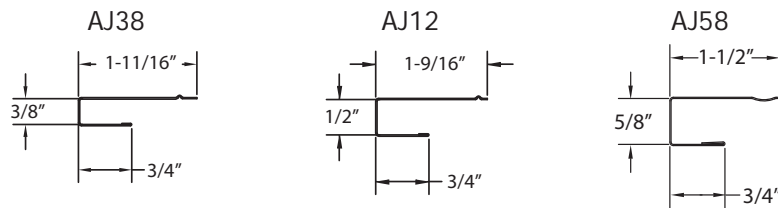
F-Channel Colors:

COLOR	CODE	COLOR	CODE	COLOR	CODE	COLOR	CODE	COLOR	CODE
ALMOND	AL	CAMEO	CA	EVEREST	EV	PEBBLESTONE CLAY	PC	SILVER GREY	SG
BEAVER BROWN	BB	CHARCOAL GREY	CG	EVERGREEN	EG	REDWOOD	RW	TERRA BRONZE	TB
BLACK	BK	CLASSIC CREAM	CC	HARBOR GREY	HG	ROYAL BROWN	RB	VICTORIAN GREY	VG
BRONZE	BZ	CLAY	CL	LINEN	LI	SAGE	SA	WICKER	WI
BROOKSTONE	BS	COUNTRY BLUE	CU	MUSKET BROWN	MB	SANDTONE	ST	WHITE	WH
BUCKSKIN	BU	DESERT SAND	DS	NORWEGIAN WOOD	NW				

J-Channel



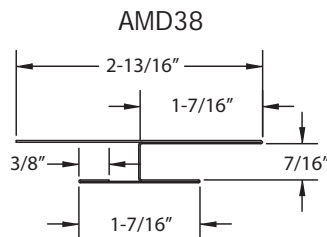
Part #	Description	Colors	Nom. Gauge/ Thickness	Piece Length	Pieces/ Box	Boxes/ Pallet	Pieces/ Pallet
AJ38 - -	Alum. 3/8" J-Channel	(Listed Below)	0.019	12'	25	24	600
AJ12 - -	Alum. 1/2" J-Channel	AL, BZ, CA, DS, HG, MB, D46, D47, PC, RB, ST, TB, VG, WH, WI	0.019	12'	25	24	600
AJ58 - -	Alum. 5/8" J-Channel	PC, WH	0.019	12'	25	24	600



Miter Divider



Part #	Description	Colors	Nom. Gauge/ Thickness	Piece Length	Pieces/ Box	Boxes/ Pallet
AMD38 - -	Alum. 3/8" Miter Divider	(Listed Below)	0.019	10'	10	24



J-Channel & Miter Divider Colors | • = Color-Thru System™, ◆ = Hardie Colors

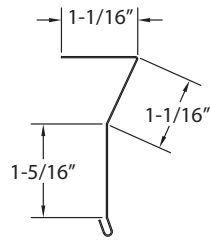
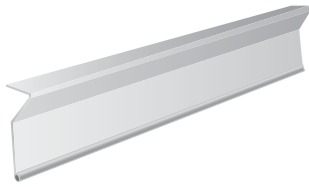
COLOR	CODE	COLOR	CODE	COLOR	CODE	COLOR	CODE	COLOR	CODE
• ALMOND	AL	• CHARCOAL GREY	CG	◆ KHAKI BROWN	HKB	• PORTSMOUTH BLUE	XPB	• TERRA BRONZE	TB
• NX ALMOND	D49	• CLASSIC CREAM	CC	• LAKESHORE FERN	XLF	• REDWOOD	RW	◆ TIMBER BARK	HTB
◆ ARCTIC WHITE	HAW	• CLAY	CL	• LINEN	LI	• ROYAL BROWN	RB	• VICTORIAN GREY	VG
◆ AUTUMN TAN	HAT	◆ COBBLESTONE	HCS	• NX LINEN	W10	• SAGE	SA	• VINTAGE BRICK	XVB
• BEAVER BROWN	BB	• COUNTRY BLUE	CU	• MONTANA SUEDE	XMS	◆ SAIL CLOTH	HSC	• WHITE	WH
• BLACK	BK	• DESERT SAND	DS	◆ MONTEREY TAUPE	HMT	• NX SAND STONE	D46	• WICKER	WI
• BRONZE	BZ	• EVEREST	EV	• MUSKET BROWN	MB	◆ SANDSTONE BEIGE	HSB	◆ WOODSTOCK BROWN	HWB
• BROOKSTONE	BS	• EVERGREEN	EG	◆ NAVAJO BEIGE	HNB	• SANDTONE	ST		
• BUCKSKIN	BU	• HARBOR GREY	HG	• NORWEGIAN WOOD	NW	• NX SIERRA	D47		
• CAMEO	CA	• HAZEL WOOD	XHW	• PEBBLESTONE CLAY	PC	• SILVER GREY	SG		



NORANDEX™ Siding Accessories

BELOIT PLANT

Siders Edge	Part #	Description	Colors	Nom. Gauge/ Thickness	Piece Length	Pieces/ Box	Boxes/ Pallet
-------------	--------	-------------	--------	--------------------------	--------------	----------------	------------------

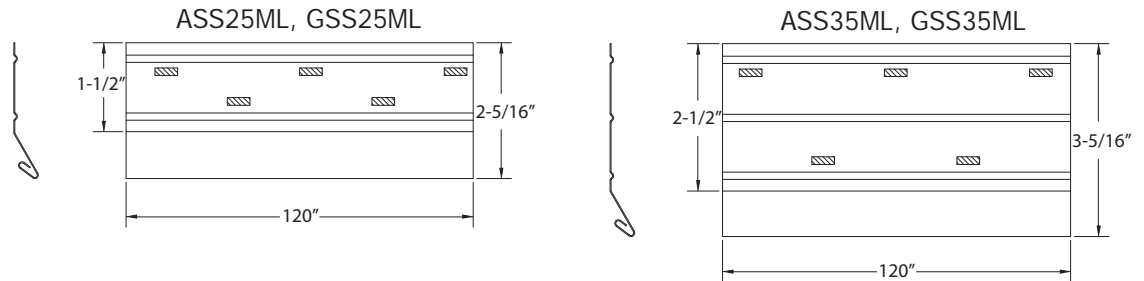


ASE310 - -	Aluminum 3" Siders Edge	(Listed Below)	0.019	10'	25	24
------------	-------------------------	----------------	-------	-----	----	----

Starter Strip	Part #	Description	Colors	Nom. Gauge/ Thickness	Piece Length	Pieces/ Box	Boxes/ Pallet	Pieces/ Pallet
---------------	--------	-------------	--------	--------------------------	--------------	----------------	------------------	-------------------



ASS25ML	Aluminum 2-1/2" Starter Strip	Mill	0.019	10'	50	24	1200
ASS35ML	Aluminum 3-1/2" Starter Strip	Mill	0.019	10'	25	24	600
GSS25ML	Galvanized 2-1/2" Starter Strip	Mill	28 ga	10'	50	24	1200
GSS35ML	Galvanized 3-1/2" Starter Strip	Mill	28 ga	10'	25	24	600

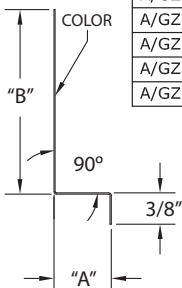


Z-Flashing	Part #	Description	Colors	Nom. Gauge/ Thickness	Piece Length	Pieces/ Box	Pieces/ Pallet
------------	--------	-------------	--------	--------------------------	--------------	----------------	-------------------



Z Flashing

Part No.	"A"	"B"
A/GZF38	3/8"	2-1/4"
A/GZF44	7/16"	2-1/8"
A/GZF50	1/2"	2-1/16"
A/GZF62	5/8"	2"
A/GZF75	3/4"	1-7/8"



AZF38 - -	Aluminum 3/8" Z-Flashing	(Listed Below)	0.019	10'	25	500
AZF38ML	Aluminum 3/8" Z-Flashing	Mill	0.019	10'	25	500
AZF44 - -	Aluminum 7/16" Z-Flashing	(Listed Below)	0.019	10'	25	500
AZF44ML	Aluminum 7/16" Z-Flashing	Mill	0.019	10'	25	500
AZF50 - -	Aluminum 1/2" Z-Flashing	(Listed Below)	0.019	10'	25	500
AZF50ML	Aluminum 1/2" Z-Flashing	Mill	0.019	10'	25	500
AZF62 - -	Aluminum 5/8" Z-Flashing	(Listed Below)	0.019	10'	25	500
AZF62ML	Aluminum 5/8" Z-Flashing	Mill	0.019	10'	25	500
AZF75 - -	Aluminum 3/4" Z-Flashing	(Listed Below)	0.019	10'	25	500
AZF75ML	Aluminum 3/4" Z-Flashing	Mill	0.019	10'	25	500
GZF38 - -	Galvanized 3/8" Z-Flashing	BK, RB, TB, WH	28 ga	10'	25	500
GZF38ML	Galvanized 3/8" Z-Flashing	Mill	28 ga	10'	25	500
GZF44ML	Galvanized 7/16" Z-Flashing	Mill	28 ga	10'	25	500
GZF50 - -	Galvanized 1/2" Z-Flashing	BK, RB, TB, WH	28 ga	10'	25	500
GZF50ML	Galvanized 1/2" Z-Flashing	Mill	28 ga	10'	25	500
GZF62 - -	Galvanized 5/8" Z-Flashing	BK, RB, TB, WH	28 ga	10'	25	500
GZF62ML	Galvanized 5/8" Z-Flashing	Mill	28 ga	10'	25	500
GZF75 - -	Galvanized 3/4" Z-Flashing	BK, RB, TB, WH	28 ga	10'	25	500
GZF75ML	Galvanized 3/4" Z-Flashing	Mill	28 ga	10'	25	500

Siding Accessories Colors | • = Color-Thru System™

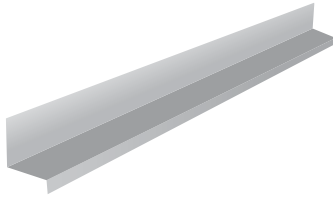
COLOR	CODE	COLOR	CODE	COLOR	CODE	COLOR	CODE	COLOR	CODE
• ALMOND	AL	• CHARCOAL GREY	CG	HAZEL WOOD	XHW	PORTSMOUTH BLUE	XPB	• TERRA BRONZE	TB
NX ALMOND	D49	• CLASSIC CREAM	CC	LAKESHORE FERN	XLF	• REDWOOD	RW	• VICTORIAN GREY	VG
BEAVER BROWN	BB	• CLAY	CL	• LINEN	LI	• ROYAL BROWN	RB	• VINTAGE BRICK	XVB
• BLACK	BK	• COUNTRY BLUE	CU	NX LINEN	W10	SAGE	SA	• WHITE	WH
• BRONZE	BZ	• DESERT SAND	DS	MONTANA SUEDE	XMS	NX SAND STONE	D46	• WICKER	WI
BROOKSTONE	BS	• EVEREST	EV	• MUSKET BROWN	MB	• SANDTONE	ST		
• BUCKSKIN	BU	• EVERGREEN	EG	• NORWEGIAN WOOD	NW	NX SIERRA	D47		
• CAMEO	CA	• HARBOR GREY	HG	• PEBBLESTONE CLAY	PC	SILVER GREY	SG		



NORANDEX™ Siding Accessories

BELOIT PLANT

Drip Cap



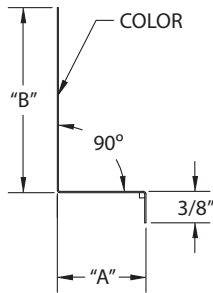
Part #	Description	Colors	Nom. Gauge/ Thickness	Piece Length	Pieces/ Box	Pieces/ Pallet
--------	-------------	--------	--------------------------	-----------------	----------------	-------------------

90° Drip Cap

ADC078 - -	Aluminum 7/8" Drip Cap 90°	(Listed Below)	0.019	10'	25	1125
ADC100 - -	Aluminum 1" Drip Cap 90°	(Listed Below)	0.019	10'	25	500
ADC100ML	Aluminum 1" Drip Cap 90°	Mill	0.019	10'	25	500
ADC118 - -	Aluminum 1-1/8" Drip Cap 90°	(Listed Below)	0.019	10'	25	500
ADC118ML	Aluminum 1-1/8" Drip Cap 90°	Mill	0.019	10'	25	500
ADC125 - -	Aluminum 1-1/4" Drip Cap 90°	(Listed Below)	0.019	10'	25	500
ADC125ML	Aluminum 1-1/4" Drip Cap 90°	Mill	0.019	10'	25	500
ADC138 - -	Aluminum 1-3/8" Drip Cap 90°	(Listed Below)	0.019	10'	25	500
ADC150 - -	Aluminum 1-1/2" Drip Cap 90°	(Listed Below)	0.019	10'	25	500
ADC150ML	Aluminum 1-1/2" Drip Cap 90°	Mill	0.019	10'	25	500
ADC158 - -	Aluminum 1-5/8" Drip Cap 90°	(Listed Below)	0.019	10'	25	500
ADC175ML	Aluminum 1-3/4" Drip Cap 90°	Mill	0.019	10'	25	500
ADC200 - -	Aluminum 2" Drip Cap 90°	(Listed Below)	0.019	10'	25	500

Drip Cap 90°

Part No.	ALUM		GALV	
	"A"	"B"	"A"	"B"
A/GDC078	7/8"	1-5/8"	1-5/8"	1-5/8"
A/GDC100	1"	1-9/16"	1-9/16"	1-9/16"
A/GDC118	1-1/8"	1-7/16"	1-7/16"	1-7/16"
A/GDC125	1-1/4"	1-5/16"	1-5/16"	1-5/16"
A/GDC138	1-3/8"	1-1/8"	1-1/8"	1-1/8"
A/GDC150	1-1/2"	1-1/16"	1-1/16"	1-1/16"
A/GDC158	1-5/8"	2-7/8"	2"	2"
A/GDC175	1-3/4"	2-3/4"	1-7/8"	1-7/8"
A/GDC200	2"	2-1/2"	1-5/8"	1-5/8"



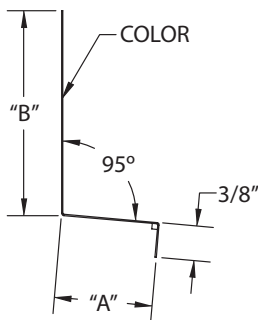
GDC078ML	Galvanized 7/8" Drip Cap 90°	Mill	28 ga	10'	25	500
GDC100 - -	Galvanized 1" Drip Cap 90°	BK, RB, TB, WH	28 ga	10'	25	500
GDC100ML	Galvanized 1" Drip Cap 90°	Mill	28 ga	10'	25	500
GDC125ML	Galvanized 1-1/4" Drip Cap 90°	Mill	28 ga	10'	25	500
GDC138 - -	Galvanized 1-3/8" Drip Cap 90°	BK, TB, WH	28 ga	10'	25	500
GDC138ML	Galvanized 1-3/8" Drip Cap 90°	Mill	28 ga	10'	25	500
GDC150 - -	Galvanized 1-1/2" Drip Cap 90°	BK, RB, TB, WH	28 ga	10'	25	500
GDC150ML	Galvanized 1-1/2" Drip Cap 90°	Mill	28 ga	10'	25	500
GDC158 - -	Galvanized 1-5/8" Drip Cap 90°	BK, RB, TB, WH	28 ga	10'	25	500
GDC158	Galvanized 1-5/8" Drip Cap 90°	Mill	28 ga	10'	25	500
GDC175ML	Galvanized 1-3/4" Drip Cap 90°	Mill	28 ga	10'	25	500
GDC200 - -	Galvanized 2" Drip Cap 90°	BK, RB, TB	28 ga	10'	25	500
GDC200ML	Galvanized 2" Drip Cap 90°	Mill	28 ga	10'	25	500

95° Drip Cap

ADC95100 - -	Aluminum 1-1/8" Drip Cap 95°	(Listed Below)	0.019	10'	25	500
ADC95118 - -	Aluminum 1-1/8" Drip Cap 95°	(Listed Below)	0.019	10'	25	500
ADC95125 - -	Aluminum 1-1/4" Drip Cap 95°	(Listed Below)	0.019	10'	25	500
ADC95138 - -	Aluminum 1-3/8" Drip Cap 95°	(Listed Below)	0.019	10'	25	500
ADC95150 - -	Aluminum 1-1/2" Drip Cap 95°	(Listed Below)	0.019	10'	25	500
ADC95175 - -	Aluminum 1-3/4" Drip Cap 95°	(Listed Below)	0.019	10'	25	500
ADC95200 - -	Aluminum 2" Drip Cap 95°	(Listed Below)	0.019	10'	25	500

Drip Cap 95°

Part No.	"A"	"B"
A/GDC95118	1-1/8"	1-7/16"
A/GDC95125	1-1/4"	1-5/16"
A/GDC95200	2"	2-5/8"



Siding Accessories Colors | • = Color-Thru System™

COLOR	CODE	COLOR	CODE	COLOR	CODE	COLOR	CODE	COLOR	CODE
• ALMOND	AL	• CHARCOAL GREY	CG	HAZEL WOOD	XHW	PORTSMOUTH BLUE	XPB	• TERRA BRONZE	TB
NX ALMOND	D49	• CLASSIC CREAM	CC	LAKESHORE FERN	XLF	• REDWOOD	RW	• VICTORIAN GREY	VG
BEAVER BROWN	BB	• CLAY	CL	• LINEN	LI	• ROYAL BROWN	RB	VINTAGE BRICK	XVB
• BLACK	BK	• COUNTRY BLUE	CU	NX LINEN	W10	SAGE	SA	• WHITE	WH
• BRONZE	BZ	• DESERT SAND	DS	MONTANA SUEDE	XMS	NX SAND STONE	D46	• WICKER	WI
BROOKSTONE	BS	EVEREST	EV	• MUSKET BROWN	MB	• SANDTONE	ST		
• BUCKSKIN	BU	• EVERGREEN	EG	• NORWEGIAN WOOD	NW	NX SIERRA	D47		
• CAMEO	CA	• HARBOR GREY	HG	• PEBBLESTONE CLAY	PC	SILVER GREY	SG		



NORANDEX™

ALUMINUM LIFETIME WARRANTY

ALUMINUM RAINWARE,
SIDING ACCESSORIES,
SOFFIT, FASCIA & TRIM COIL



Buy Norandex™ products with confidence knowing that:

- Norandex™ aluminum products carry a limited lifetime warranty.
- Material and Labor is covered.
- Transferrable at no charge.
- Doesn't require registration.

Norandex™ manufactures Aluminum Soffit, Aluminum Siding & Soffit Accessories, Aluminum Trim Coil, Aluminum Fascia (the "Products"), Aluminum Gutter Coil, and Rainware Accessories in accordance with high standards and tight quality controls. The Products will not rust, burn or support combustion, or split or crack due to cold weather because they are made of aluminum.

WHAT DOES THIS WARRANTY COVER?

Norandex™ warrants to you, the owner of the property at the time the Products were installed, that the Products are free from defects in material and workmanship in the course of manufacture, and that the finish on the Products will not chip, peel, flake or blister under conditions of ordinary wear, if installed according to local building codes and industry specifications. This Warranty is limited to the terms and conditions, exclusions and limitations, requirements and legal rights stated in this Warranty.

HOW LONG DOES THE COVERAGE LAST?

If you are an individual, this Limited Lifetime Warranty lasts for the life of the property on which the Products were originally applied ("Property") for as long as you own the Property. If you are not an individual (e.g., you are a corporation, condominium, cooperative housing arrangement, unincorporated association, school, church, government or public entity, etc.), the warranty period will be 50 years from the date of original installation of the Products on the Property, prorated as outlined in the Warranty Coverage Schedule contained within. This Limited Lifetime Warranty may be transferred with the Property. However, upon the transfer, the warranty period will be no more than 50 years from the date of original installation of the Products on the Property, prorated in accordance with the Warranty Coverage Schedule contained within.

WHAT WILL WE DO?

You must notify us in accordance with the notice requirements outlined below, and we must validate the complaint. In the event the manufacturer is denied access for an inspection, this warranty is null and void. Upon the notification and validation, we will undertake the following:

We will repair, replace or refund the purchase and installation price of the defective portion of our product that blisters, checks, crazes, flakes, peels or weathers unevenly due to a defect in our manufacturing process. Our obligations under this warranty will in no event exceed the purchase price of the originally installed Products found to be warrantable and the cost of the labor involved in the original installation of such defective Products. Any additional costs and expenses beyond these amounts are your responsibility. Norandex™ will not pay or be responsible for any costs associated with or related to anything else affixed to the Material or building's roof, including but not limited to solar panels, television antennas, moisture sensors, etc.

In the event of repair, replacement or refinishing under this Warranty, the Warranty applicable to the replacement material or to the repaired or refinished Products will extend only for the time remaining under the original Warranty.

If we elect to repair or replace Product under this warranty, we will also cover the reasonable labor costs for the applicable area, as determined by us.

WHAT DOESN'T THIS WARRANTY COVER?

This Warranty does not cover damage of any kind resulting from:

- Product that is stored in situations where standing water is covering the surface for prolonged period of time;
- Faulty or improper contractor fabrication or installation, including "oil canning" waving, buckling, or other distortions;
- Installation of our Product in direct contact with dissimilar materials as discussed in the final section of this warranty;
- Cracking or crazing of the Product's paint surface due to field forming of Products in cold temperatures; or
- Changes in surface color resulting from chalking, fading, soiling or staining. Exposure to the elements may cause these changes over time;

the degree to which weathering occurs will vary depending on air quality, the building's location and other local conditions over which we have no control;

- accidental damage;
- settlement;
- structural shrinkage or distortion of the property structure;
- fire;
- lightning, hurricane, tornado, windstorm, earthquake, volcanoes, hail, or other acts of God;
- harmful chemicals (including harmful cleaning compounds and pesticides);
- fumes, volcanic smog, or vapors; Warranty does not cover material within 30 miles of volcano.
- surface deterioration due to air pollution or seacoast environment (no coverage if product installation is within 1500 feet of seacoast);
- misuse or abuse;
- vandalism;
- airborne stains, mold and mildew accumulation;
- your failure (or the failure of subsequent Property owners) to provide reasonable and necessary maintenance of the Products (see "Care and Maintenance Instructions");
- impact of foreign objects;
- warping or distortion due to exposure to excessive heat sources (e.g., barbecue grills) or exposure to unusual or excessive reflective heat sources (e.g., window reflection);
- Products that have been painted or whose surface has been altered in any way without written authorization from Norandex™;
- any other causes beyond our reasonable control; or
- Corrosion caused by contact with dissimilar materials, treated lumber, or direct salt spray.

OTHER LIMITATIONS

1. This Warranty covers only genuine Norandex™, Aluminum Soffit, Aluminum Siding & Soffit Accessories, select Aluminum Trim Coil, Aluminum Fascia, and Aluminum Gutter Coil & Rainware Accessories. It is your responsibility to verify that the soffit, fascia, and accessories installed are our Products. For Trim Coil, we require written proof it is Norandex™ product.

2. Products are designed and intended for use as small flashings and water diverters, and should not be used as roofing material.

3. Due to normal weathering, replacement Products may differ in gloss and color from Products originally installed on the Property.

4. We reserve the right to discontinue or change any design or color of any of our products at any time and without notice or liability. If, for any reason, Products of the type originally installed are no longer available from us at the time you make a warranty claim, we may substitute another product determined by us to be of comparable quality and price.

5. There are no warranties on these Products other than as set forth in this Warranty. We are not liable to you for a breach of any other written or oral express warranties, such as those, if any, given to you by dealers, contractors, applicators, or distributors of the Products.

6. WE EXCLUDE AND ARE NOT RESPONSIBLE FOR ANY CONSEQUENTIAL OR INCIDENTAL DAMAGES ARISING OUT OF ANY BREACH OF THIS EXPRESSED WARRANTY, OR ANY OTHER ORAL, WRITTEN OR IMPLIED WARRANTY THAT MAY APPLY TO YOUR PURCHASE, AS IT RELATES TO OUR PRODUCTS.

THIS IS YOUR EXCLUSIVE WARRANTY AND IS IN LIEU OF ALL OTHER WARRANTIES, EXPRESSED OR IMPLIED, INCLUDING BUT NOT LIMITED TO IMPLIED WARRANTIES OF MERCHANTABILITY AND FITNESS FOR A PARTICULAR PURPOSE.

7. This Warranty gives you specific legal rights. You may also have other rights which vary from state to state. SOME STATES DO NOT ALLOW THE EXCLUSION OR LIMITATION OF INCIDENTAL OR CONSEQUENTIAL DAMAGES, SO THE ABOVE LIMITATION OR EXCLUSION MAY NOT APPLY TO YOU.

(Complete Aluminum Warranty available upon request)



STEEL RAINWARE AND ACCESSORIES



Buy Norandex™ products with confidence knowing that:

- Norandex™ steel rainware products carry a limited lifetime warranty.
- Material and Labor is covered.
- Doesn't require registration.

Norandex™ manufactures Steel Rainware & Accessories including Gutter Coil in accordance with high standards and tight quality controls. The Products will not burn or support combustion, or split or crack due to cold weather because they are made of steel.

WHAT DOES THIS WARRANTY COVER?

Norandex™ warrants to you, the owner of the property at the time the Products were installed, that the Products are free from defects in material and workmanship in the course of manufacture, and that the finish on the Products will not chip, peel, flake or blister under conditions of ordinary wear, if installed according to local building codes and industry specifications. This warranty excludes any areas of the material that are within 3/4" of any edge that has been cut subsequent to the application of the paint to the substrate. This Warranty is limited to the terms and conditions, exclusions and limitations, requirements and legal rights stated in this Warranty.

HOW LONG DOES THE COVERAGE LAST?

If you are an individual, this Limited Lifetime Warranty lasts for the life of the property on which the Products were originally applied ("Property") for as long as you own the Property. If you are not an individual (e.g., you are a corporation, condominium, cooperative housing arrangement, unincorporated association, school, church, government or public entity, etc.), the warranty period will be 50 years from the date of original installation of the Products on the Property, prorated as outlined in the Warranty Coverage Schedule contained within. This Limited Lifetime Warranty is limited to the original owner. Coverage will be 100% for ten years after the installation and prorated after that period. See Warranty Coverage Schedule section for details of prorated coverage.

WHAT WILL WE DO?

You must notify us in accordance with the notice requirements outlined below, and we must validate the complaint. In the event the manufacturer is denied access for an inspection, this warranty is null and void. Upon the notification and validation, we will undertake the following:

We will repair, replace or refund the purchase and installation price of the defective portion of our product that blisters, checks, crazes, flakes, peels or weathers unevenly due to a defect in our manufacturing process. Our obligations under this warranty will in no event exceed the purchase price of the originally installed Products found to be warrantable and the cost of the labor involved in the original installation of such defective Products. Any additional costs and expenses beyond these amounts are your responsibility. Norandex™ will not pay or be responsible for any costs associated with or related to anything else affixed to the Material or building's roof, including but not limited to solar panels, or television antennas, moisture sensors, etc.

In the event of repair, replacement or refinishing under this Warranty, the Warranty applicable to the replacement material or to the repaired or refinished Products will extend only for the time remaining under the original Warranty.

If we elect to repair or replace Product under this warranty, we will also cover the reasonable labor costs for the applicable area, as determined by us.

WHAT DOESN'T THIS WARRANTY COVER?

This Warranty does not cover damage of any kind resulting from:

- Product that is stored in situations where standing water is covering the surface for prolonged period of time;
- Faulty or improper installation, including "oil canning" waving, buckling, or other distortions;
- Installation of our Product in direct contact with dissimilar materials as discussed in the final section of this warranty;
- Cracking or crazing of the Product's paint surface due to field forming of Products in cold temperatures; or material that has bends less than 2T for a sheet thickness of 0.0299" and thinner and bends less than 4T for a sheet thickness of 0.0300" and thicker.

- Changes in surface color resulting from chalking, fading, soiling or staining. Exposure to the elements may cause these changes over time; the degree to which weathering occurs will vary depending on air quality, the building's location and other local conditions over which we have no control;
- accidental damage;
- settlement;
- structural shrinkage or distortion of the property structure;
- fire;
- lightning, hurricane, tornado, windstorm, earthquake, hail, or other acts of God;
- harmful chemicals (including harmful cleaning compounds and pesticides);
- fumes, volcanic smog, or vapors; Warranty for material is not given within 30 miles of volcano.
- surface deterioration due to air pollution or seacoast environment; (no Warranty if installed product is within 1 mile of seacoast.)
- misuse or abuse;
- vandalism;
- airborne stains, mold and mildew accumulation;
- your failure (or the failure of subsequent Property owners) to provide reasonable and necessary maintenance of the Products (see "Care and Maintenance Instructions");
- impact of foreign objects;
- warping or distortion due to exposure to excessive heat sources (e.g., barbecue grills) or exposure to unusual or excessive reflective heat sources (e.g., window reflection);
- Products that have been painted or whose surface has been altered in any way will void the paint finish warranty;
- any other causes beyond our reasonable control; or
- Corrosion caused by contact with dissimilar materials, treated lumber, or direct salt spray.

OTHER LIMITATIONS

1. This Warranty covers only genuine Norandex™ Steel Rainware and Accessories, including Gutter Coil. It is your responsibility to verify that the rainware and accessories installed are our Products.
2. Products are designed and intended for use as small flashings and water diverters, and should not be used as roofing material.
3. Due to normal weathering, replacement Products may differ in gloss and color from Products originally installed on the Property.
4. We reserve the right to discontinue or change any design or color of any of our products at any time and without notice or liability. If, for any reason, Products of the type originally installed are no longer available from us at the time you make a warranty claim, we may substitute another product determined by us to be of comparable quality and price.
5. There are no warranties on these Products other than as set forth in this Warranty. We are not liable to you for a breach of any other written or oral express warranties, such as those, if any, given to you by dealers, contractors, applicators, or distributors of the Products.
6. WE EXCLUDE AND ARE NOT RESPONSIBLE FOR ANY CONSEQUENTIAL OR INCIDENTAL DAMAGES ARISING OUT OF ANY BREACH OF THIS EXPRESSED WARRANTY, OR ANY OTHER ORAL, WRITTEN OR IMPLIED WARRANTY THAT MAY APPLY TO YOUR PURCHASE, AS IT RELATES TO OUR PRODUCTS. THIS IS YOUR EXCLUSIVE WARRANTY AND IS IN LIEU OF ALL OTHER WARRANTIES, EXPRESSED OR IMPLIED, INCLUDING BUT NOT LIMITED TO IMPLIED WARRANTIES OF MERCHANTABILITY AND FITNESS FOR A PARTICULAR PURPOSE.
7. This Warranty gives you specific legal rights. You may also have other rights which vary from state to state. SOME STATES DO NOT ALLOW THE EXCLUSION OR LIMITATION OF INCIDENTAL OR CONSEQUENTIAL DAMAGES, SO THE ABOVE LIMITATION OR EXCLUSION MAY NOT APPLY TO YOU.

(Complete Steel Warranty available upon request)



NORANDEX™

EXTERIOR PRODUCTS FOR YOUR HOME

Norandex™ Trim Coil Colors



W1

NX WHITE 280



A3

NX SILVER



W10

NX LINEN



D52

NX BEIGE



D53

NX CHAMPAGNE



D49

NX ALMOND



Y3

NX CREAM



Y4

*NX YELLOW



D54

NX DUNE



D48

NX TAN



D50

NX WHEAT



D57

NX SADDLE BROWN



D51

NX SAND



D46

NX SAND STONE



D55

NX TUMBLEWEED TAN



D47

NX SIERRA



D58

NX MOCHA



B19

NX HAZEL BOWN



D56

NX COBBLESTONE CLAY



B18

NX RUSSET



B6

NX ROYAL BROWN



B1

NX MUSKET BROWN



B20

*NX MAVERICK BROWN



A25

*NX GRAPHITE



R6

NX FIREBRICK



G15

NX EVERGREEN



G14

NX OLIVE



D59

NX KHAKI



G13

NX IVY GREEN



G16

NX CACTUS



A24

NX FERN



A21

NX SMOKE



A19

NX GRANITE



A22

NX SEAPORT



L8

NX STEEL BLUE



L7

NX WEDGEWOOD BLUE

*Not available in PVC.

Note: colors shown may vary slightly from actual material.

Paint finish provided by

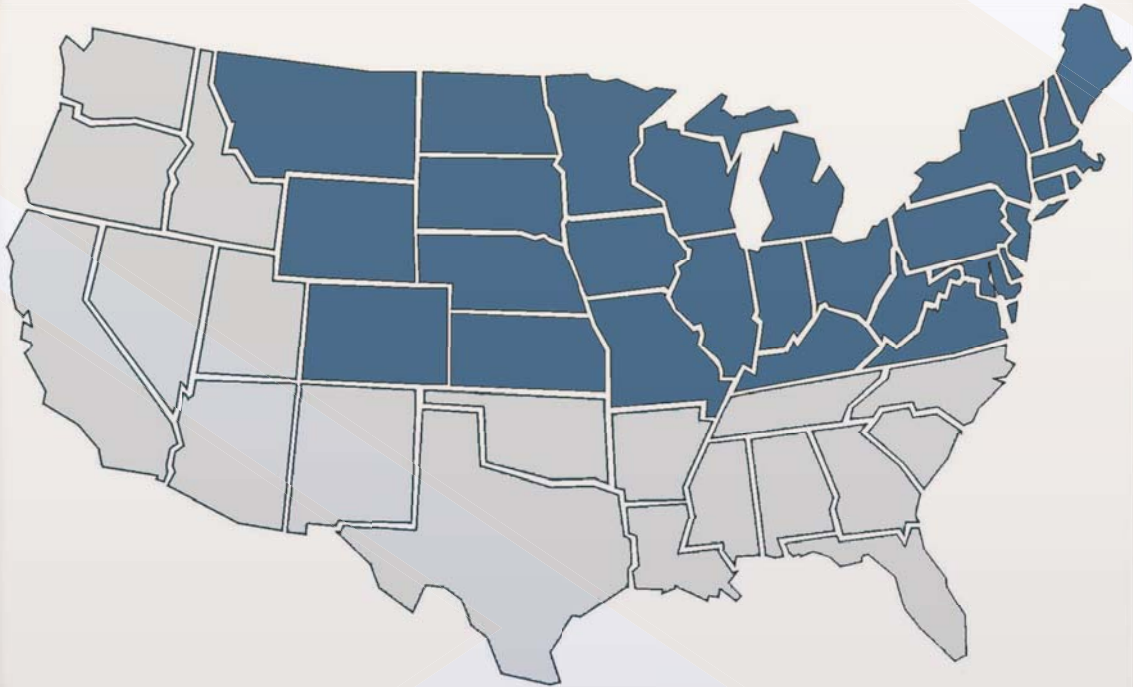
valspar

if it matters, we're on it.®



NORANDEX™

EXTERIOR PRODUCTS FOR YOUR HOME



Beloit Plant Serves Midwest & Northeast Regions